


**NTN BEARING CORPORATION OF AMERICA**

Head Office

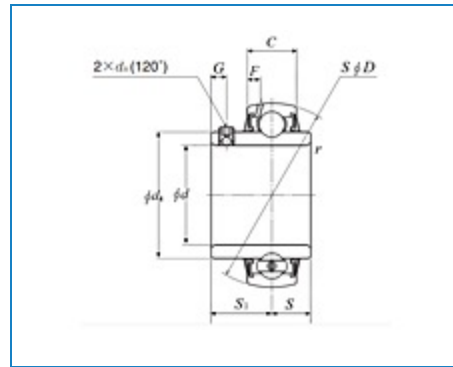
1600 E. Bishop Court, P.O. Box 7604

Mount Prospect, IL 60056-7604, U.S.A.

**Phone:** 847-298-7500

**Fax:** 847-699-9744

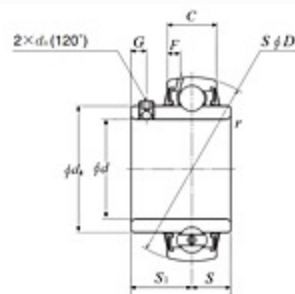
**Toll Free:** 800-323-2358

**Email:** [mkt@ntnamerica.com](mailto:mkt@ntnamerica.com)
**Website:** [www.ntnamericas.com](http://www.ntnamericas.com)
**Item # UC204, Bearing Insert w/ Set Screw, Wide Inner Ring - Spherical O.D.**

[Order Now](#) | [Technical Specifications](#) | [Dimensional Specifications](#)
**Order Now**
**Ordering Options**
**FIND A DISTRIBUTOR**
**CONTACT NTN CUSTOMER SUPPORT SPECIALIST**
**ORDER THROUGH NTN DOL (AUTHORIZED DISTRIBUTORS ONLY)**
**Technical Specifications**

<b>Type</b>	Insert Bearing
<b>Bore Type</b>	Round

<b>Bearing Type</b>	Ball Bearing
<b>Material</b>	Through Hardened Steel
<b>Limiting Speed - Grease</b>	6700 RPM
<b>Seal Type</b>	Contact
<b>Seal Material</b>	Nitrile Rubber
<b>Precision Rating</b>	ISO Class 0
<b>Performance</b>	Standard Duty
<b>Locking Device</b>	Set Screw
<b>Lubrication</b>	Non-Relubricatable
<b>Basic Outer Ring</b>	204
<b>Static Load Rating</b>	1500 lbf 6650 N 6.65 kN
<b>Dynamic Load Rating</b>	2880 lbf 12800 N 12.80 kN
<b>Enclosure</b>	Double Sealed
<b>Weight</b>	0.375 lb 0.170 kg
<b>Operating Temperature Range</b>	-40 to 250 °F -40 to 120 °C

## Dimensional Specifications



Bearing Insert w/ Set Screw, Wide Inner Ring - Spherical O.D. - Dimensions

<b>d</b>	0.7874 in 20.000 mm
<b>D</b>	1.8504 in 47.000 mm
<b>C</b>	0.6693 in 17.000 mm
<b>B</b>	1.2205 in 31.000 mm
<b>r</b>	0.0394 in 1.000 mm
<b>ds</b>	M5x0.8
<b>G</b>	0.1772 in 4.500 mm
<b>d4</b>	1.1654 in 29.600 mm
<b>S1</b>	0.7205 in 18.300 mm
<b>S</b>	0.5000 in 12.700 mm