

Art.-Nr.: 10.02.01.01590

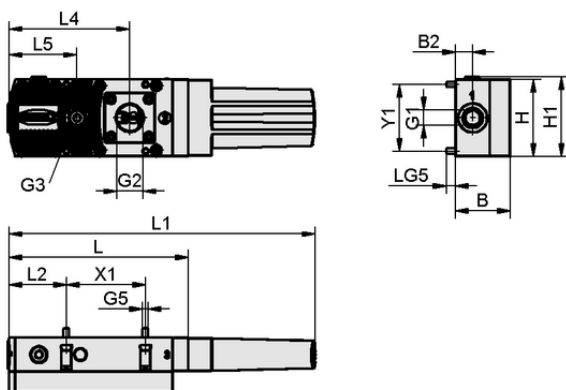
**Technical data**

Attribute	Value
Weight	0.750 kg
Air consumption suction	210.0 l/min
Suction rate (max.)	510.0 l/min
Size	50.00
Shape	High vacuum

SBPL 50 HV

The basic ejector SBPL is delivered as a ready-to-connect product.

Available accessories: retrofit kit, sealing plugs, vacuum manometer, quick exhaust valves, exhaust kit, retrofit kit, solenoid valves, vacuum cup filter, mounting brackets, vacuum hose, hose nozzle



Design data SBPL 50 HV

**Design data**

Attribute	Value
Length L1	285.30 mm
Length L2	54.00 mm
Length L	167.50 mm
Width B2	16.00 mm
Width B	51.00 mm
Height H1	74.00 mm
Height H	72.00 mm
Thread G1	G3/8"-F
Thread G2	G3/4"-F
Length L4	113.00 mm
Hole spacing Y1	62.0 mm
Hole spacing X1	73.5 mm
Thread length LG5	8.5 mm
Length L5	64.00 mm
Thread G3	G1/4"-F
Thread G5	M5-M



Art.-Nr.: 10.02.01.01590

**Technical data**

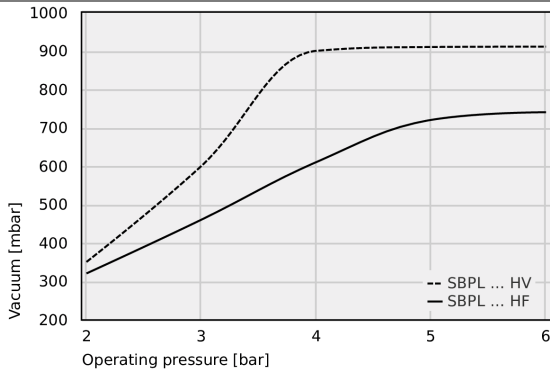
Attribute	Value
Recommended hose internal diameter compressed air	6.0 mm
Recommended hose internal diameter vacuum	25.0 mm
Degree of evacuation	90.0 %
Max. vacuum	26.577 inHg
Sound pressure level suction	59.0 dB(A)
Sound pressure level free	66.0 dB(A)
Weight	0.750 kg
Air consumption suction	13.000 m <sup>3</sup> /h
Size	50.00
Pressure range (operating pressure) [bar]	2.0 ... 6.0 bar
Operating temperature	0 ... 60 °C
Suction rate (real)	30.600 m <sup>3</sup> /h
Suction rate (theoretical)	39.600 m <sup>3</sup> /h
Pressure range (operating pressure) [psi]	29.0 ... 87.0
Product family	SBPL



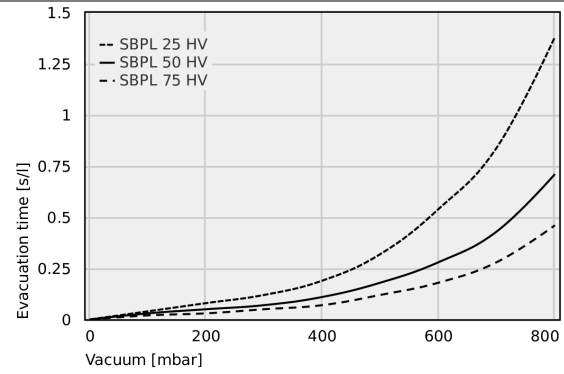
Art.-Nr.: 10.02.01.01590



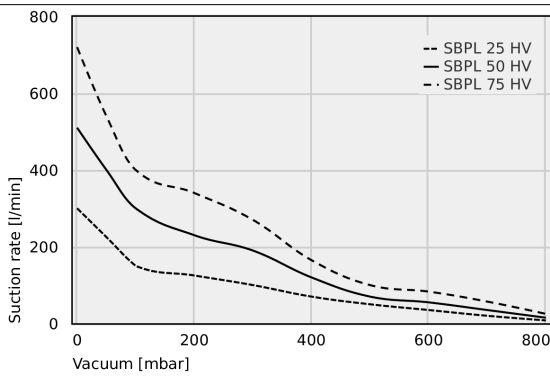
**Performance data**



Achievable vacuum at various operating pressures



Evacuation time for various vacuum ranges [s/l]



Suction rate at various degrees of evacuation [l/min]



**Achievable vacuum at various operating pressures**

	2	3	4	5	6
SBPL ... HV	350.00	600.00	900.00	910.00	911.00
SBPL ... HF	320.00	460.00	610.00	720.00	740.00



Art.-Nr.: 10.02.01.01590

**Evacuation time for various vacuum ranges [s/l]**

	0	100	200	300	400	500	600	700	800
SBPL 25 HV	-	0.04	0.08	0.12	0.19	0.32	0.54	0.84	1.38
SBPL 50 HV	-	0.03	0.05	0.07	0.11	0.18	0.28	0.43	0.71
SBPL 75 HV	-	0.02	0.03	0.05	0.07	0.12	0.18	0.28	0.46

**Suction rate at various degrees of evacuation [l/min]**

	0	50	100	200	300	400	500	600	700	800
SBPL 25 HV	300	225	150	125	100	70	50	35	20	8
SBPL 50 HV	510	400	300	230	190	120	70	55	35	15
SBPL 75 HV	720	540	400	340	270	165	100	83	57	25

**Further documentation**CAD data and other documents relating to the article can be found at: [www.schmalz.com/10.02.01.01590](http://www.schmalz.com/10.02.01.01590)**Ordering Data Accessories 10.02.01.01590**

Typ		Item number
Mouting bracket (inst.)	BEF-WIN 72x25x77 SBPL/SCPL	10.02.01.01705
Vacuum gauge (electronic)	VAM-D 30x30 VP10 G1/8-AG	10.07.02.00055
Vacuum gauge	VAM 40 V DR BAR	10.07.02.00035
Vacuum/pressure switch	VS <sub>i</sub> V D M8-4	10.06.02.00577
Solenoid valve pressure	EMV 3 24V-DC 2/2 NC K-2P	10.05.01.00366
Quick release valve	SEV G1/8-IG G1/4-AG	10.02.01.01471
Hose sleeve	ST 25 AL-EL	10.02.01.01680
Vacuum hose (meter)	VSL 27-20 PU-DS-AS TR	10.07.09.00047
Vacuum hose (meter)	VSL 32-25 PU-DS-AS TR	10.07.09.00051
Vacuum hose (meter)	VSL 42-32 PU-DS-AS TR	10.07.09.00036
Exhaust air set	ABL-SET SBPL/SCPL M	10.02.01.01939
Exhaust air set	ABL-SET SBPL/SCPL L	10.02.01.01940
Vacuum cup filter	VFT G3/4-IG 80	10.07.01.00128
Retrofitting kit	SET SBPL/SCPL 75/100	10.02.01.01685



Basic Ejector

## SBPL 50 HV



Art.-Nr.: 10.02.01.01590



### Ordering Data Spare Parts 10.02.01.01590

Typ		Item number
Set of spare parts	ERS SEP-22 6xRUE-KLAP	10.02.01.01450
Silencer (cube-shaped-inst.)	SD 102x71x33 SBPL/SCPL	10.02.01.01585
Ejector module	SEP HV 3 16 22	10.02.01.01397



### Ordering Data Wear Parts 10.02.01.01590

Typ		Item number
Sealing frame	DI-RA 112.5x34.8 NBR-55 SBPL/SCPL	10.02.01.01541
Set of spare parts	ERS SEP-22 6xRUE-KLAP	10.02.01.01450
O-ring	O-RING 10x2.5 NBR-70	10.07.08.00002



[WWW.SCHMALZ.COM/10.02.01.01590](http://WWW.SCHMALZ.COM/10.02.01.01590)