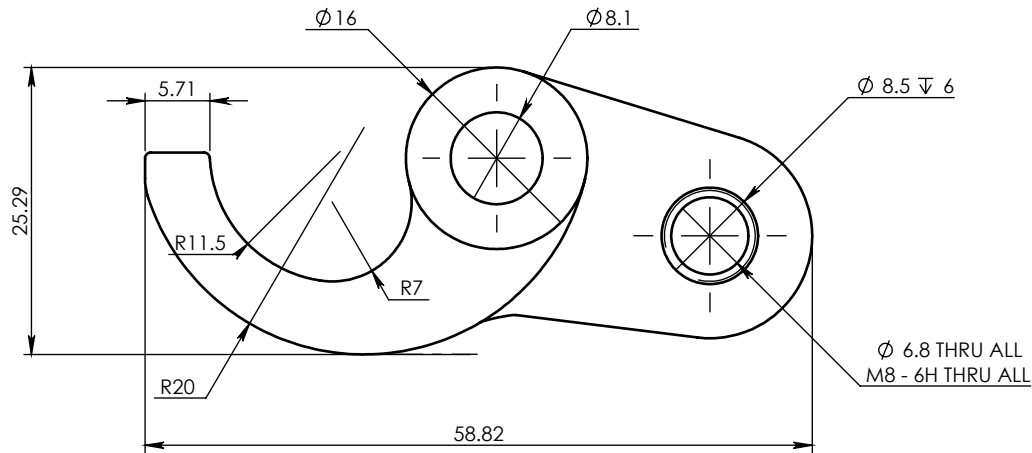
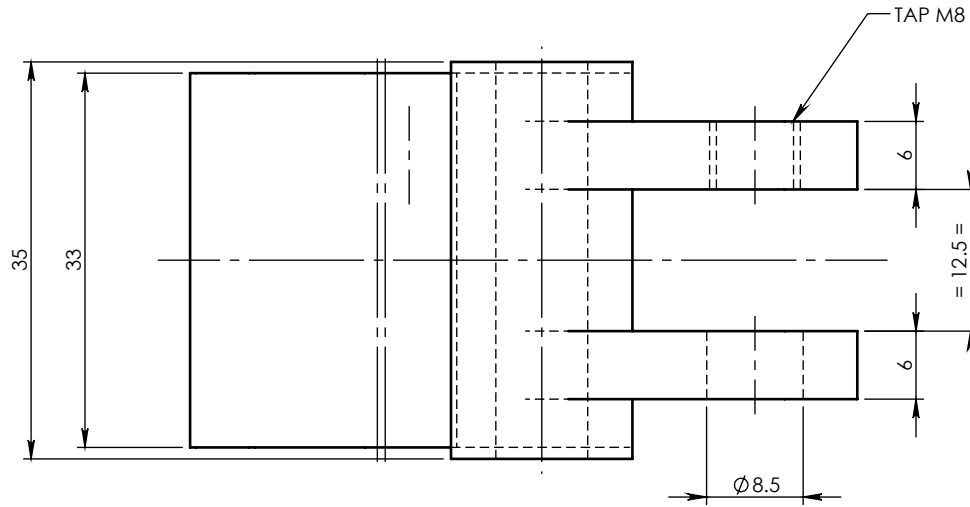
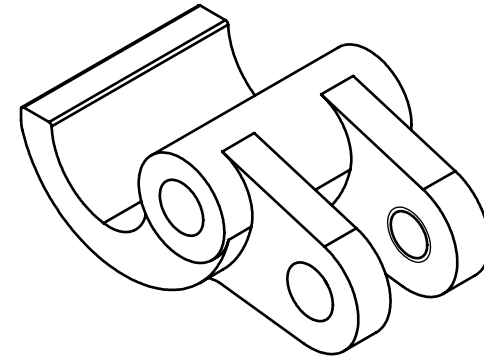


| SURFACE FINISH | |
|----------------|---|
| As Machined | |
| Acid | |
| Glass Bead | |
| Orbital Sand | |
| Powder Coat | |
| Zinc Plate | |
| Anodise | |
| Polished | |
| Scotch Brite | |
| DeBurr | X |
| ENP | |
| Blackodise | |



| | | | |
|--------------------------------------|----|-------------------------------|---------------|
| MATERIAL: 6082-T6/HE30 | | Created From: | |
| APPROX. FINISHED WT. (K.g.): 49.0182 | | COMPONENT COLOUR: | |
| | | DRAWING No. 16550-2528 | |
| | | PRINTED: 08-09-2023 | |
| | | DESIGN: DSL | |
| | | DRAWN: As Above | |
| REV | BY | DATE | MODIFICATIONS |
| | | | |



Bector Automation
RMI India Pvt. Ltd.
 Plot No. 24, Gat. No. 613/1,
 Kurali, Tal. - Khed
 Dist. Pune 410501
 Maharashtra, India

COPYRIGHT
 © 2023 B.A.R. India Pvt. Ltd.
 THIS DRAWING MAY NOT BE
 REPRODUCED OR TRANSMITTED
 WITHOUT PRIOR PERMISSION

TOLERANCES

| | | |
|-------------------|------|-----------|
| NO DECIMAL PLACE | =0 | +0.2 -0.2 |
| ONE DECIMAL PLACE | =0.0 | +0.1 -0.1 |
| FABRICATION | =0 | +1.0 -1.0 |

ALL DIMENSIONS ARE IN MILLIMETERS

Robotic Tray Pick and Empty
Pick Head
Clamp