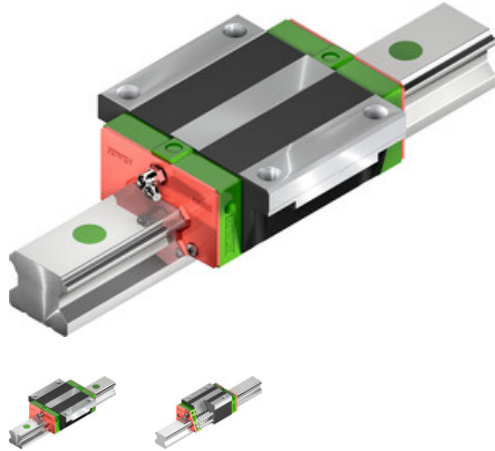


Data sheet

HGW20CCZ0C



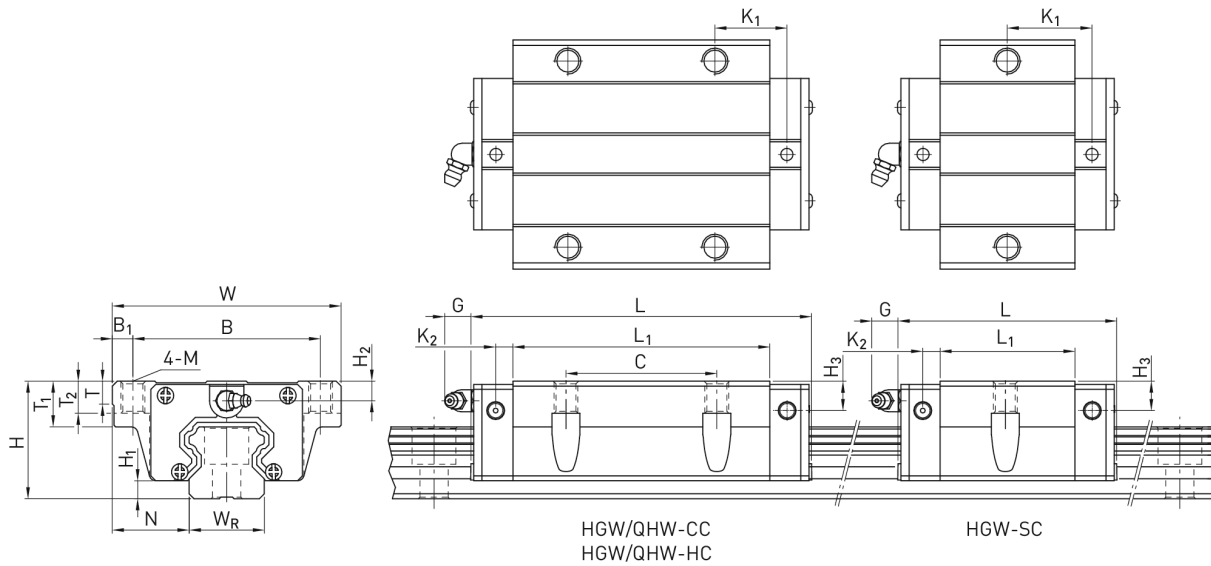
Type:
HGW20CCZ0C
Article number:
5-001113

Preload:
Z0: Light preload

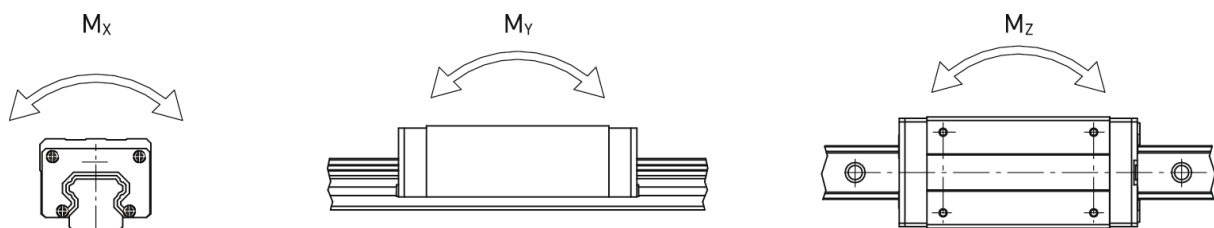
Accuracy class:
C

TECHNICAL DETAILS

Dimensions



Moments



Dimensions

H	Total height	30	mm
H ₁		4,6	mm
N		21,5	mm
W	Block width	63	mm
B		53	mm
B ₁		5	mm
C		40	mm
L ₁		50,5	mm
L	Block length	77,5	mm
K ₁		10,25	mm
K ₂		6	mm
G		12	mm
M		M6	
T		8	mm
T ₁		10	mm
T ₂		9,5	mm
H ₂		6	mm
H ₃		6	mm
	Mass	0,4	kg

Load ratings and torques

C_{dyn}	Dynamic load rating	27.100	N
C_0	Static load rating	36.680	N
M_{0X}	Static moment	270	Nm
M_{0Y}	Static moment	280	Nm
M_{0Z}	Static moment	280	Nm