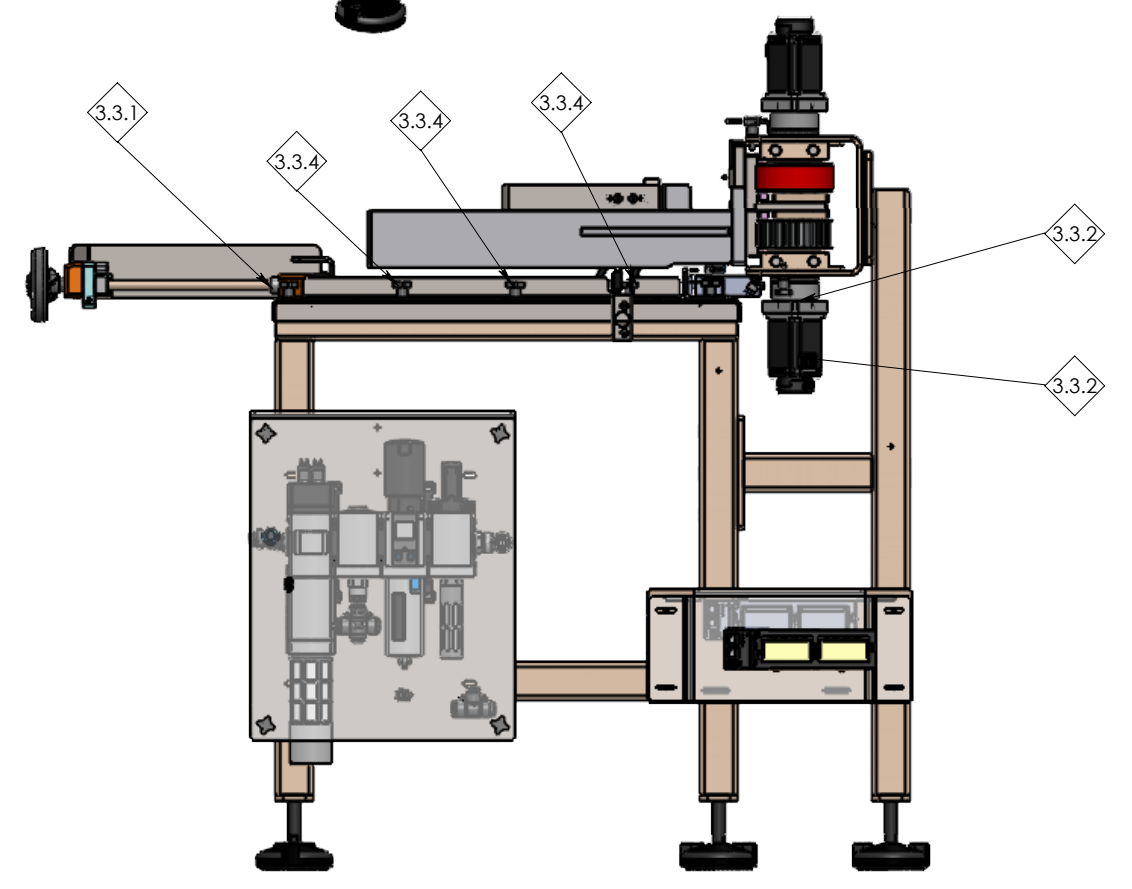
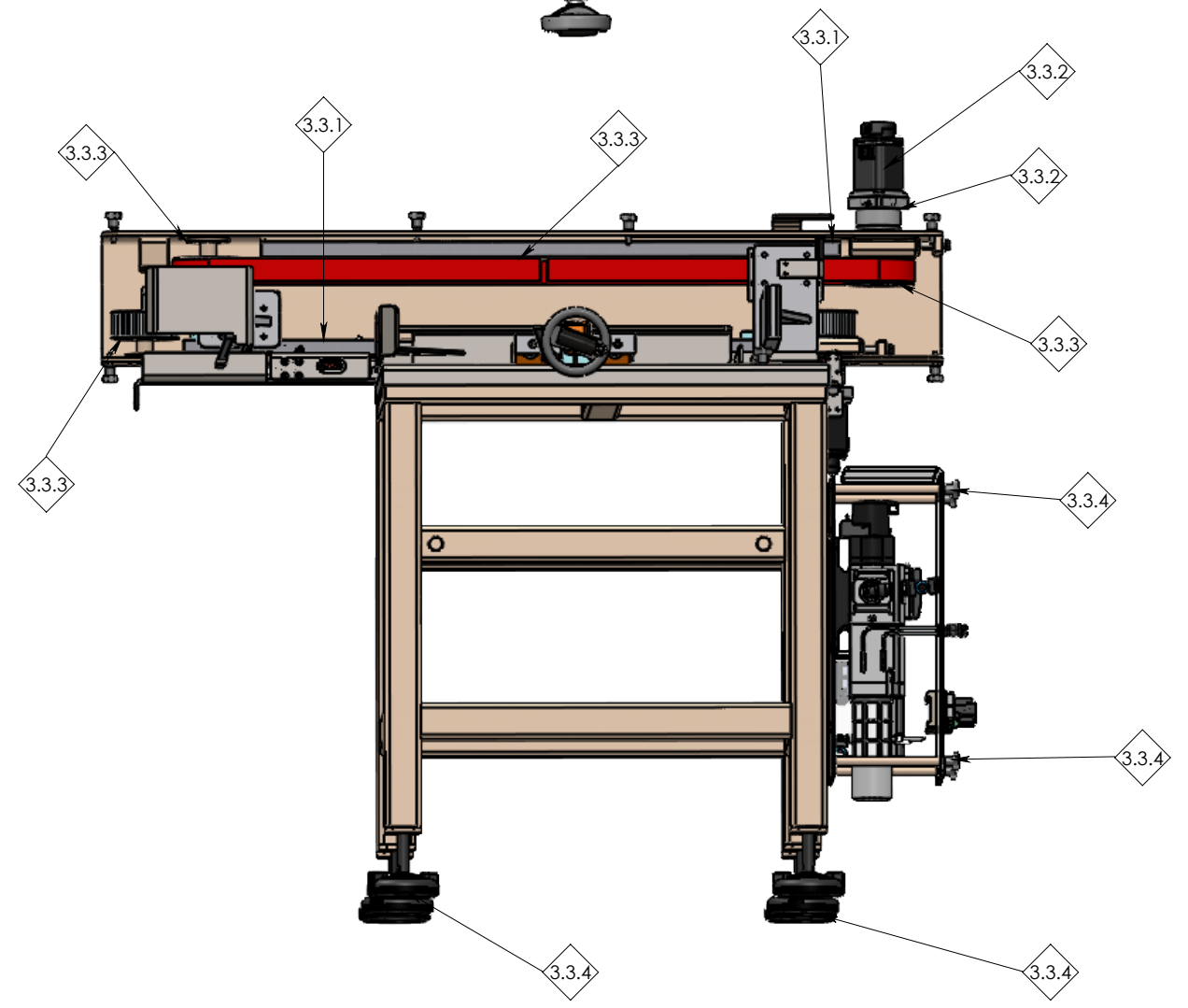
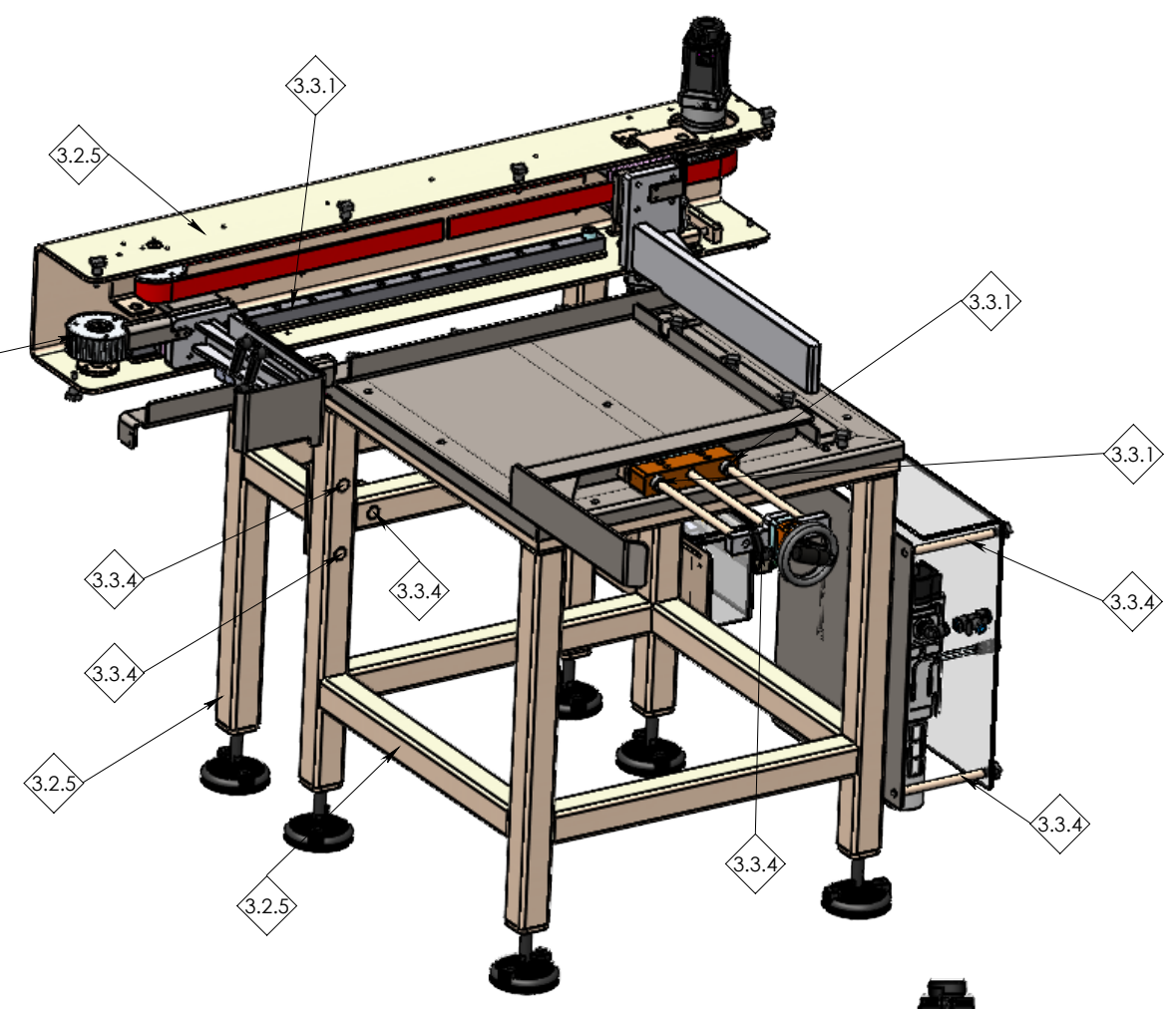
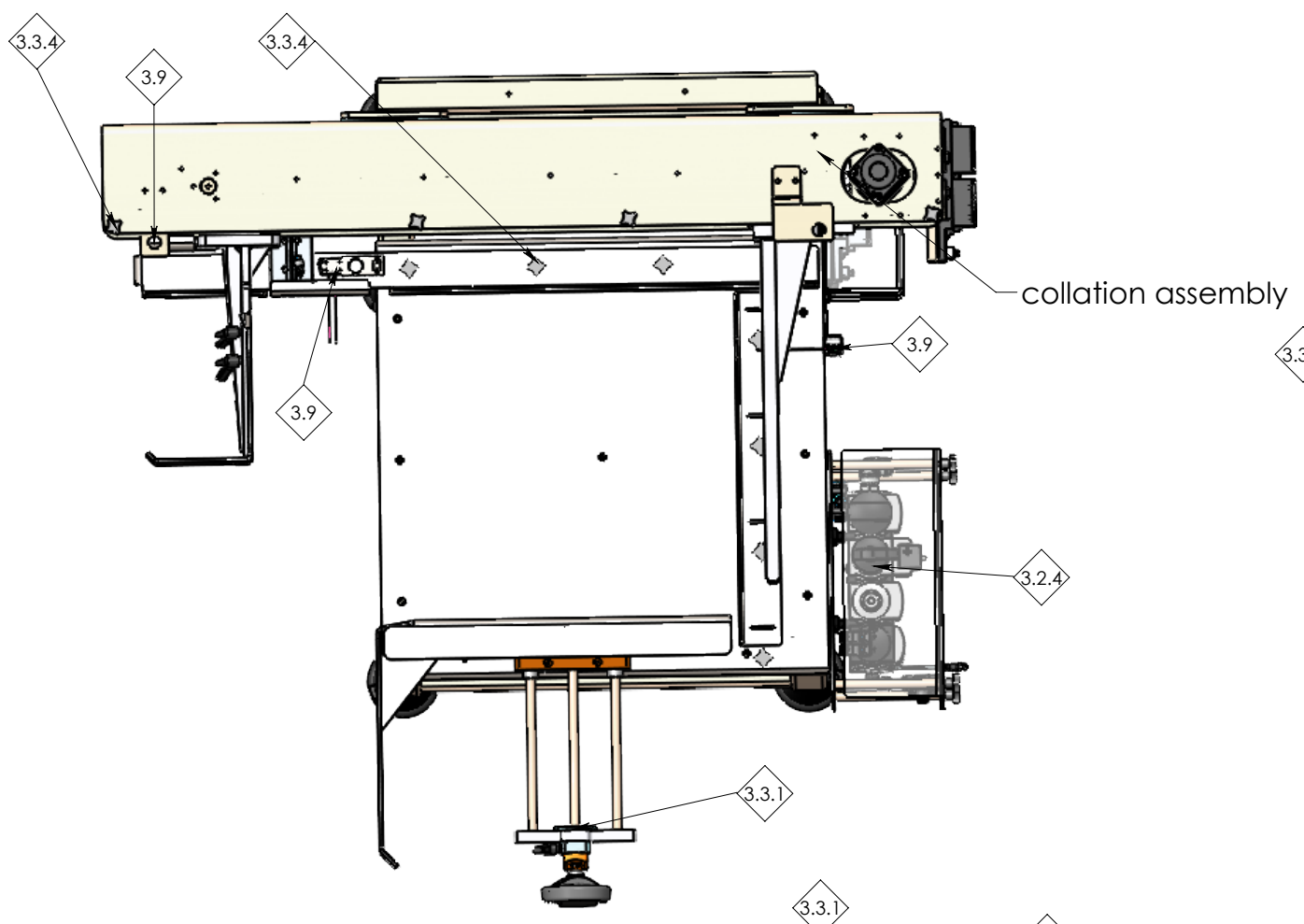


SURFACE FINISH	
As Machined	
Acid	
Glass Bead	
Orbital Sand	
Powder Coat	
Zinc Plate	
Anodise	
Polished	
Scotch Brite	
DeBurr	X
ENP	
Blackodise	
MATT FINISH	X



Bector Automation
RML India Pvt. Ltd.
 Plot No. 24, Gat. No. 613/1,
 Kurali, Tal. - Khed,
 Dist. Pune 410 501
 Maharashtra, India

COPYRIGHT
 © 2026 B.A.R. India Pvt. LTD.
 THIS DRAWING MAY NOT BE
 REPRODUCED OR TRANSMITTED
 WITHOUT PRIOR PERMISSION

TOLERANCES	
NO DECIMAL PLACE	=0 +0.2 -0.2
ONE DECIMAL PLACE	=0.0 +0.1 -0.1
FABRICATION	=0 +1.0 -1.0

ALL DIMENSIONS ARE IN MILLIMETERS

16835 - ROBOTIC CASE PACKER
COLLATION ASSEMBLY
COLLATION ASSEMBLY

NOTE-COLLATION ASSEMBLY MAINTENANCE DWG

MATERIAL:		CREATED FROM:	
APPROX. FINISHED WT. (K.G.): 152341.6		DRAWING No. 16835-23001	
COMPONENT COLOUR:		REV.	
		PRINTED: 04-03-2026	
		DESIGN: Rajan V	
		DRAWN: ABS	
REV	BY	DATE	MODIFICATIONS