

## Bellows suction cup (round)

SPB1 10 ED-65 M5-AG

Part no...:10.01.06.03489

<https://www.schmalz.com/10.01.06.03489>

Home > Vacuum Technology for Automation > Vacuum Components > Vacuum Suction Cups > Suction Cups for Packaging > Bellows Suction Cups  
 SPB1 (1.5 Folds) > SPB1 10 ED-65 M5-AG

### Bellows suction cup (round) for very uneven workpieces



Size: 10

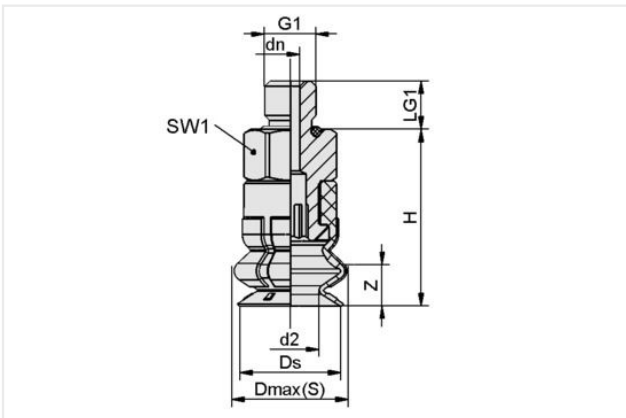
Suction cup material: Elastodur

Material hardness [Shore A]: 65 Shore A

Thread G1: M5-M

Number of folds: 1.5

### Design Data



Attribute	Value
d2	5.60 mm
dn	1.80 mm
Dmax(S)	11.30 mm
Ds	9.80 mm
G1	M5-M
H	17.10 mm
LG1	4.70 mm
SW1	8 mm
Z (Stroke)	4 mm

### Technical Data

Attribute	Value
Suction force (-600mbar)	1.50 N
Pull-off force	4 N
Lateral force	2 N
Volume	0.45 cm <sup>3</sup>
Curve radius (min) (convex)	5 mm
Hose diameter (empf.) d	4 mm
Size	10
Number of folds	1.50

### Contact Schmalz

J. Schmalz GmbH | Johannes-Schmalz-Str.1, D-72293 Glatten | +49 7443 2403-102 | [customercenter@schmalz.de](mailto:customercenter@schmalz.de)

## Bellows suction cup (round)

SPB1 10 ED-65 M5-AG

Part no...:10.01.06.03489

<https://www.schmalz.com/10.01.06.03489>

Suction cup material	Elastodur
Material hardness [Shore A]	65 Shore A
Weight	1.60 g
Product family	SPB1

### Accessories



#### SPI 8 PA SPB1-10

Part no...:10.01.06.03710

Size: 8

Material: Polyamide

Use: SPB1-10

### Spare parts



#### SC 030 M5-AG

Part no...:10.01.06.02802

Connection geometry: 030

Connection: M5-M

Length L1: 15.5 mm

Fitting length: 5 mm

Nominal diameter dn: 1.8 mm

## Bellows suction cup (round)

SPB1 10 ED-65 M5-AG

Part no...:10.01.06.03489

<https://www.schmalz.com/10.01.06.03489>



**SPB1 10 ED-65 SC030**

Part no...:10.01.06.02782

Size: 10

Suction cup material: Elastodur

Material hardness [Shore A]: 65 Shore A

Number of folds: 1.5