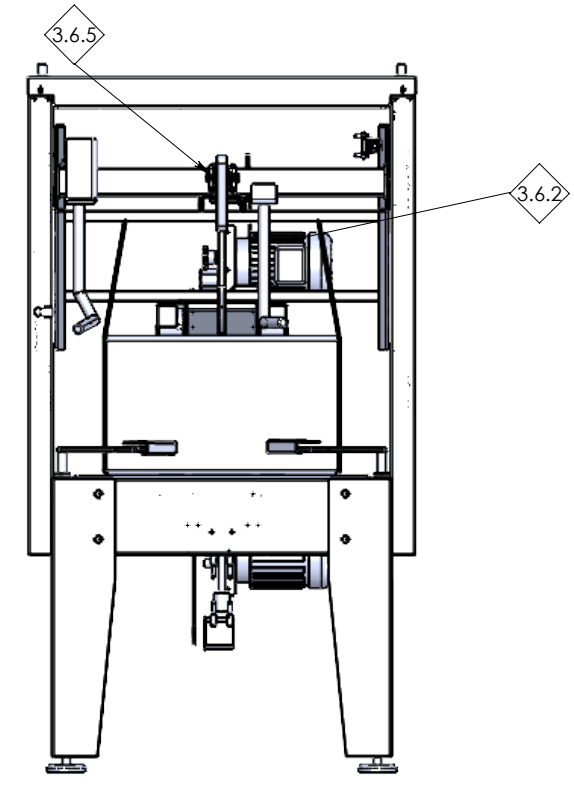
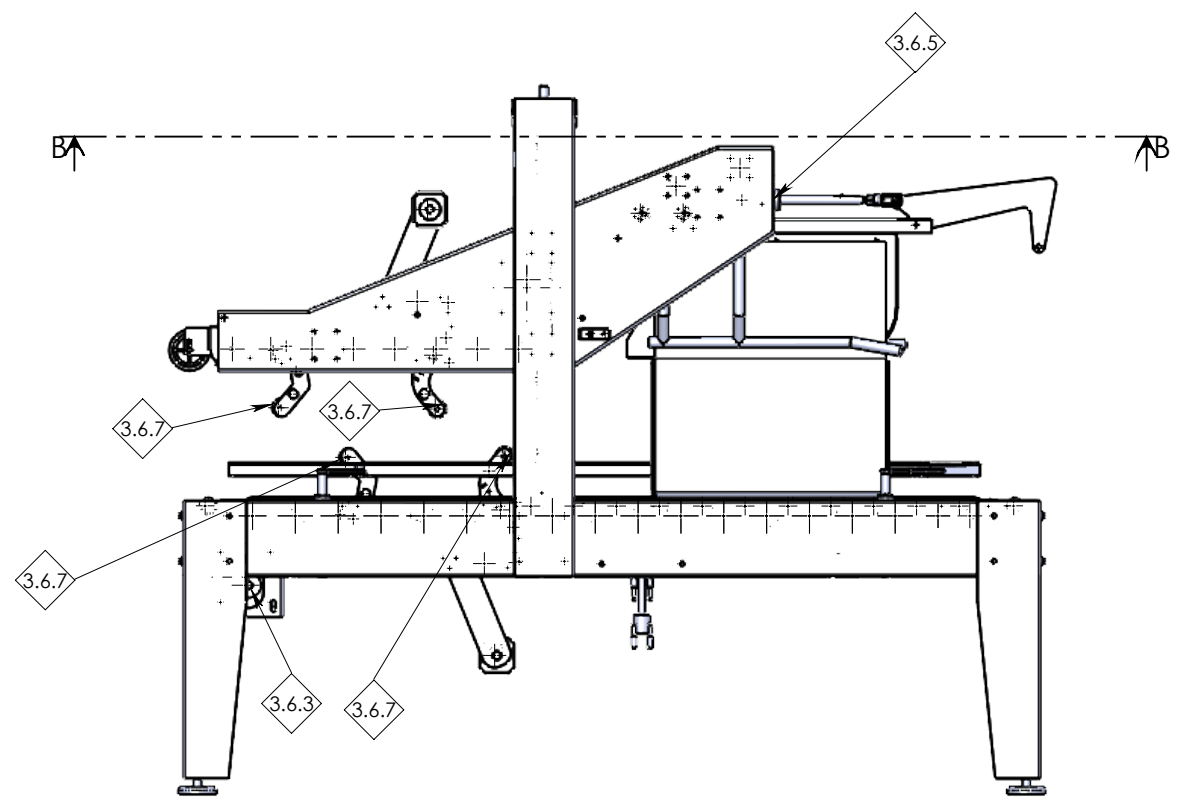
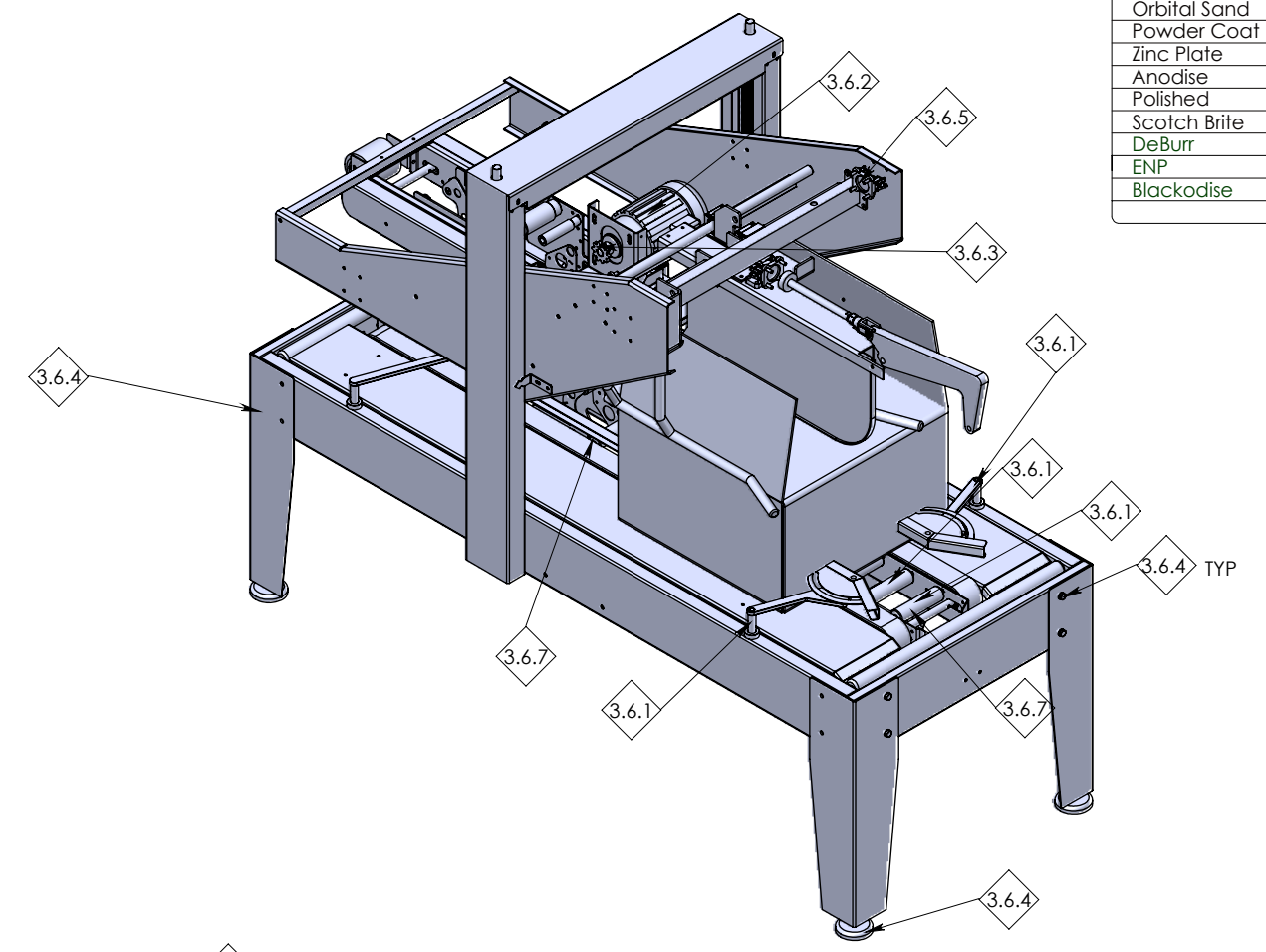
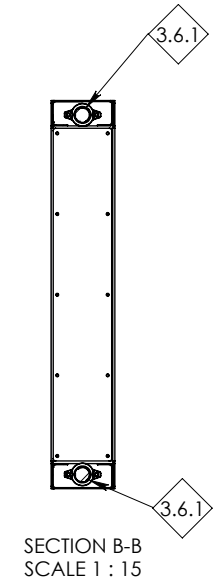
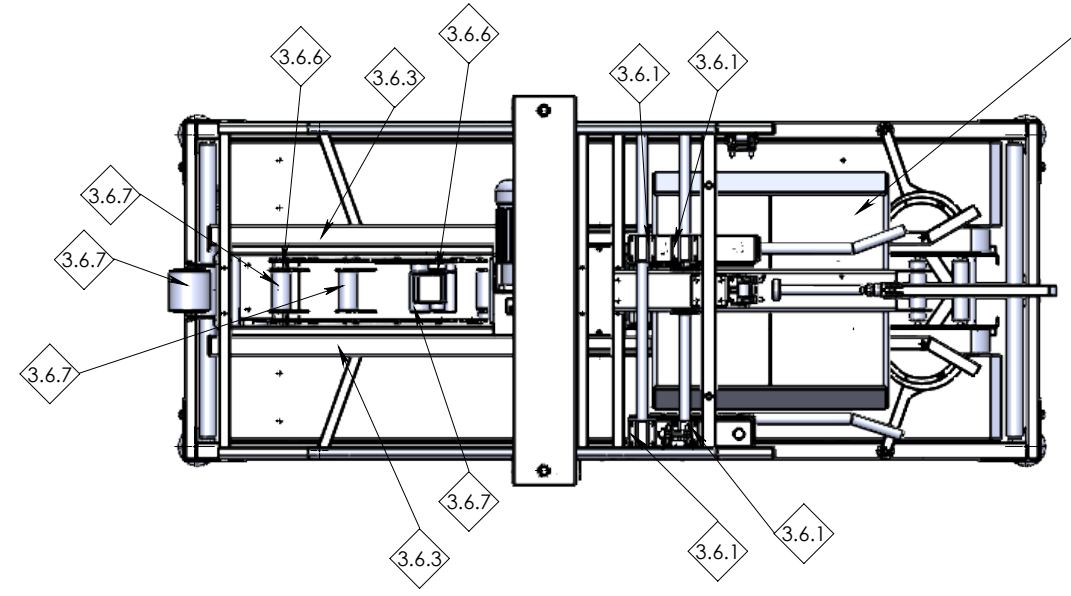


SURFACE FINISH	
As Machined	
Acid	
Glass Bead	
Orbital Sand	
Powder Coat	
Zinc Plate	
Anodise	
Polished	
Scotch Brite	
DeBurr	
ENP	
Blackadise	

TAPING MACHINE ASSEMBLY



NOTE-TAPING MACHINE ASSEMBLY



**Bector Automation  
RML India Pvt. Ltd.**  
Plot No. 24, Gat. No. 613/1,  
Kurali, Tal. - Khed,  
Dist. Pune 410 501  
Maharashtra, India

**COPYRIGHT**  
© 2026 B.A.R. India Pvt. Ltd.  
THIS DRAWING MAY NOT BE  
REPRODUCED OR TRANSMITTED  
WITHOUT PRIOR PERMISSION

TOLERANCES		
NO DECIMAL PLACE	=0	+0.2 -0.2
ONE DECIMAL PLACE	=0.0	+0.1 -0.1
FABRICATION	=0	+1.0 -1.0

ALL DIMENSIONS ARE IN MILLIMETERS

**16835-22001**  
TAPING MACHINE  
TAPING MACHINE

MATERIAL: Material <not specified>		CREATED FROM:	
APPROX. FINISHED WT. (K.G.): 0.00	COMPONENT COLOUR:	DRAWING No.	REV.
		<b>16835-22001</b>	
		PRINTED: 04-03-2026	SHEET
		DESIGN: Rajan V	1/1
REV	BY	DATE	MODIFICATIONS
			DRAWN: ABS