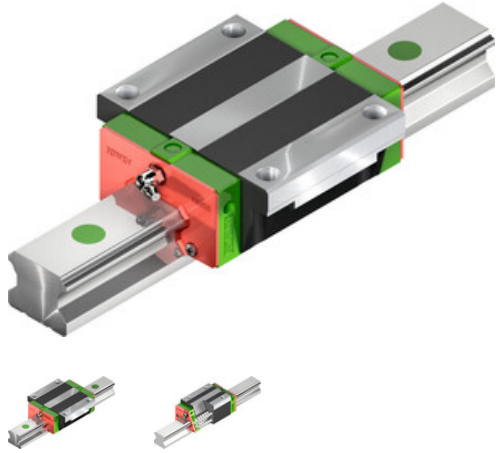




HGW25HCZ0P

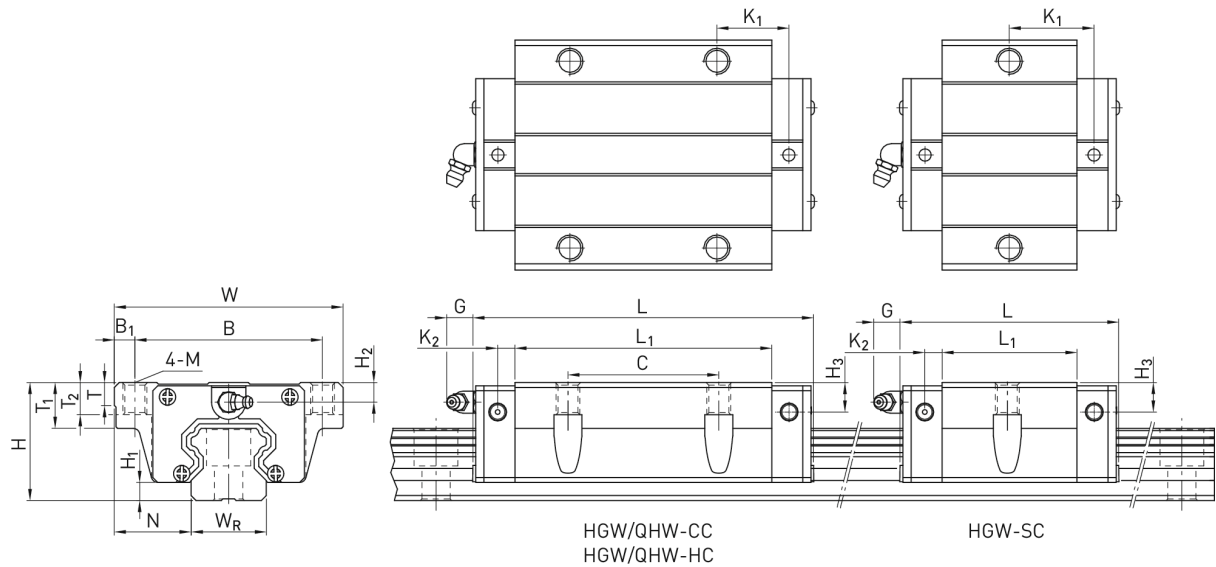


Type:
HGW25HCZ0P

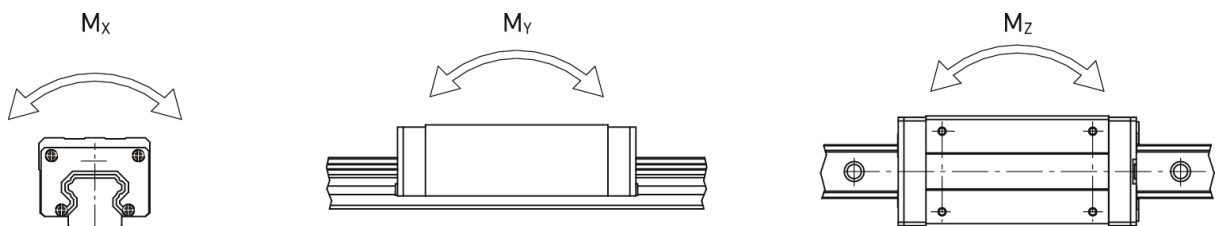
Preload:
Z0: Light preload

Accuracy class:
P

Dimensions



Moments



Dimensions

H	Total height	36	mm
H ₁		5,5	mm
N		23,5	mm
W	Block width	70	mm
B		57	mm
B ₁		6,5	mm
C		45	mm
L ₁		78,6	mm
L	Block length	104,6	mm
K ₁		21	mm
K ₂		6	mm
G		12	mm
M		M8	
T		8	mm
T ₁		14	mm
T ₂		10	mm
H ₂		6	mm
H ₃		5	mm
	Mass	0,8	kg

Load ratings and torques

C_{dyn}	Dynamic load rating	42.200	N
C_0	Static load rating	69.070	N
M_{0X}	Static moment	560	Nm
M_{0Y}	Static moment	730	Nm
M_{0Z}	Static moment	730	Nm