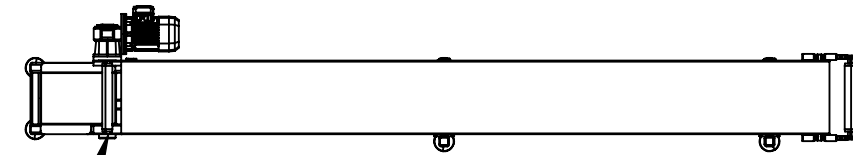
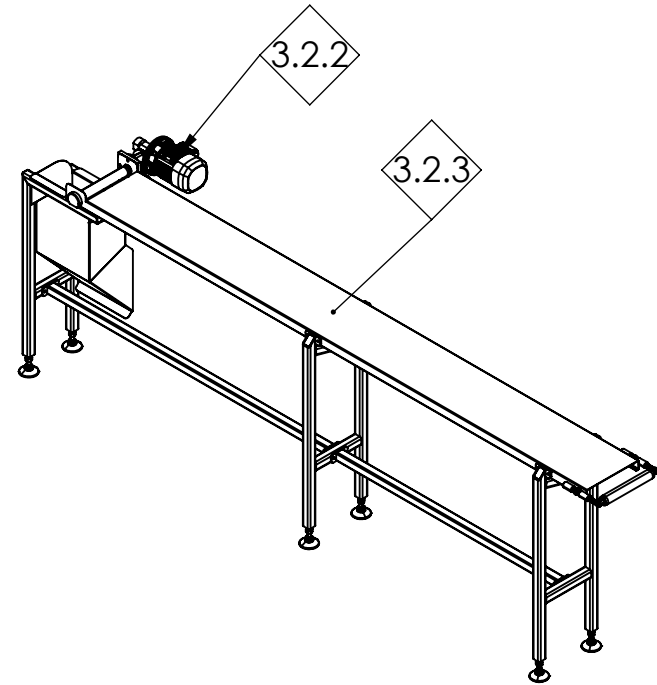


SURFACE FINISH	
As Machined	
Acid	
Glass Bead	
Orbital Sand	
Powder Coat	
Zinc Plate	
Anodise	
Polished	
Scotch Brite	
DeBurr	
ENP	
Blackodise	
Matt	X

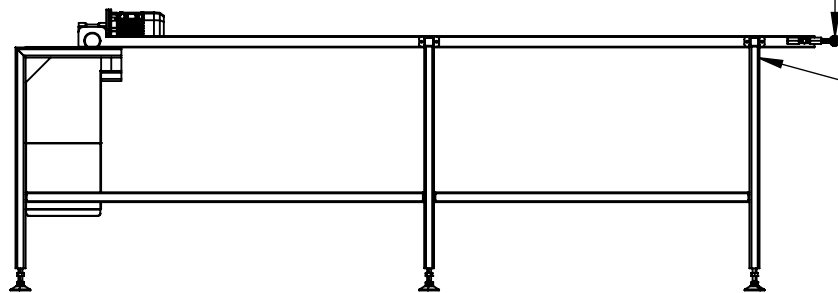


3.2.1



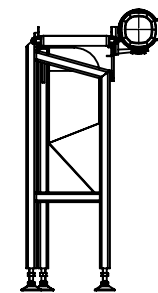
3.2.2

3.2.3



3.2.1

3.2.5



Bector Automation
RMI India Pvt. Ltd.
Plot No. 24, Gat. No. 613/1,
Kuruli, Tal. - Khed
Dist. Pune 410501
Maharashtra, India

COPYRIGHT
© 2025 B.A.R. India Pvt. Ltd.
THIS DRAWING MAY NOT BE
REPRODUCED OR TRANSMITTED
WITHOUT PRIOR PERMISSION

TOLERANCES

NO DECIMAL PLACE	=0	+0.2 -0.2
ONE DECIMAL PLACE	=0.0	+0.1 -0.1
FABRICATION	=0	+1.0 -1.0

ALL DIMENSIONS ARE IN MILLIMETERS

16797- Robotic Pick & Place
16797-17101 Main Drive
Main Drive Conveyor

MATERIAL: 304 S/S		Created From:	
APPROX. FINISHED WT. (K.g.):	COMPONENT COLOUR:	DRAWING No.	REV.
		16797-17101	
		PRINTED: 13-10-2025	SHEET
		DESIGN:	1/1
REV	BY	DATE	MODIFICATIONS
			DRAWN: As Above