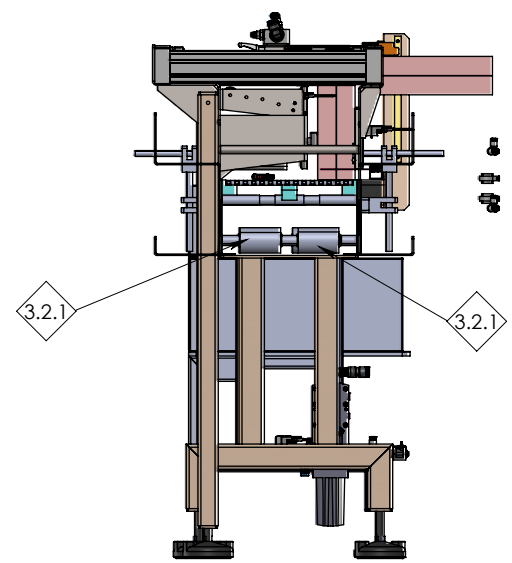
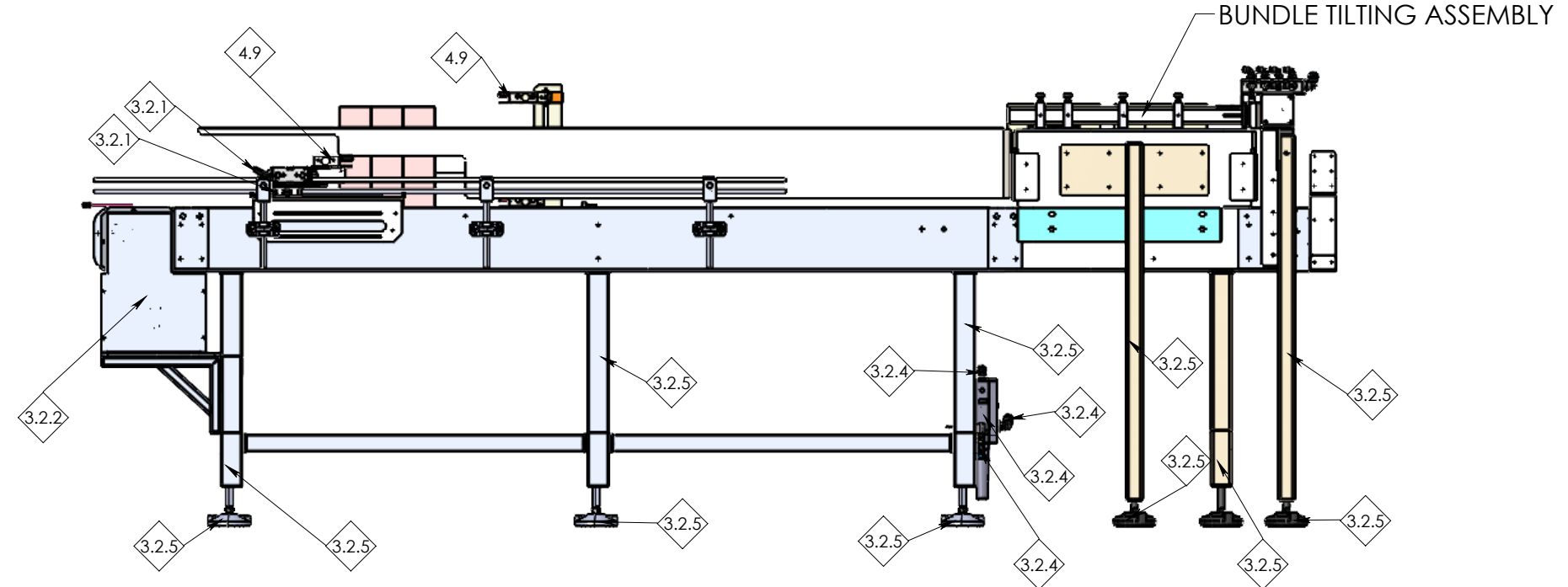
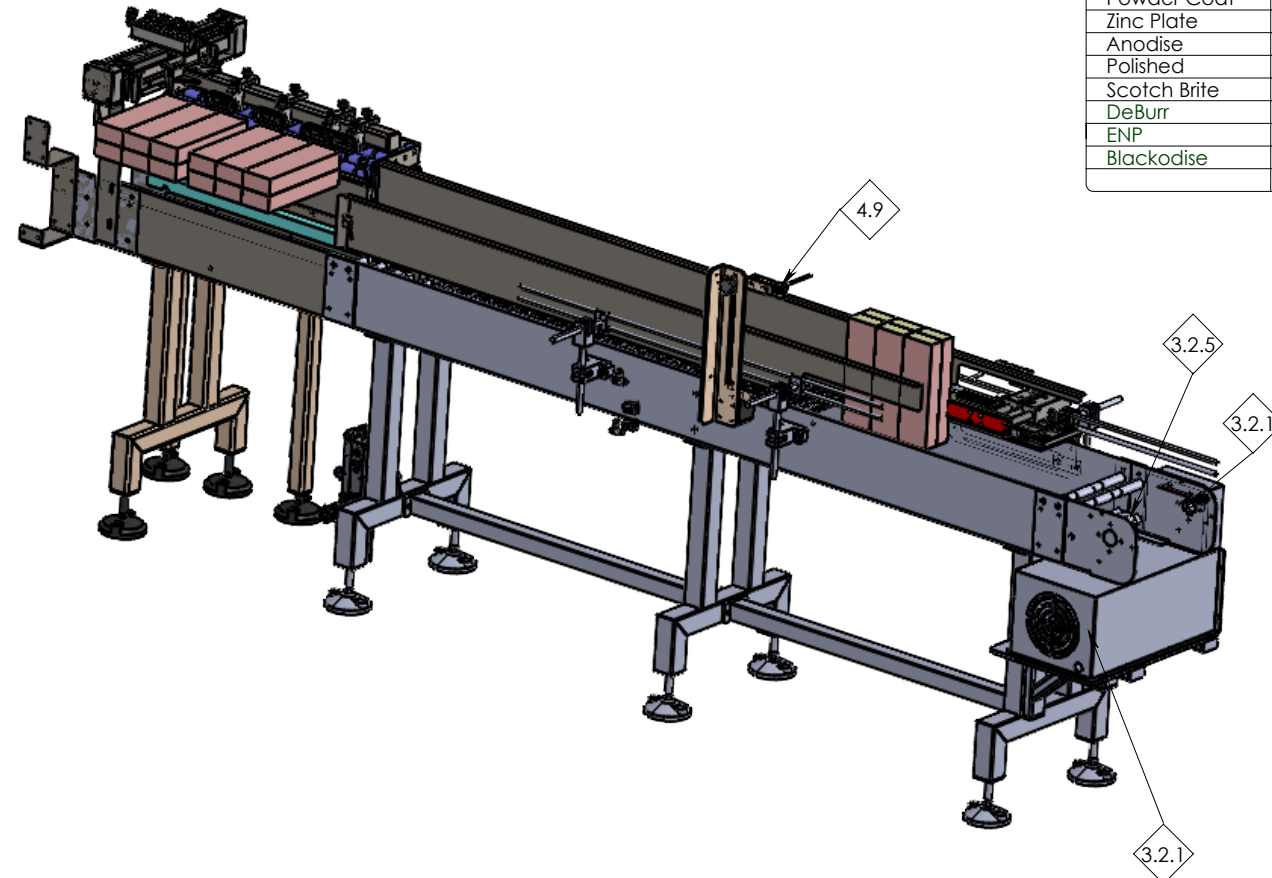
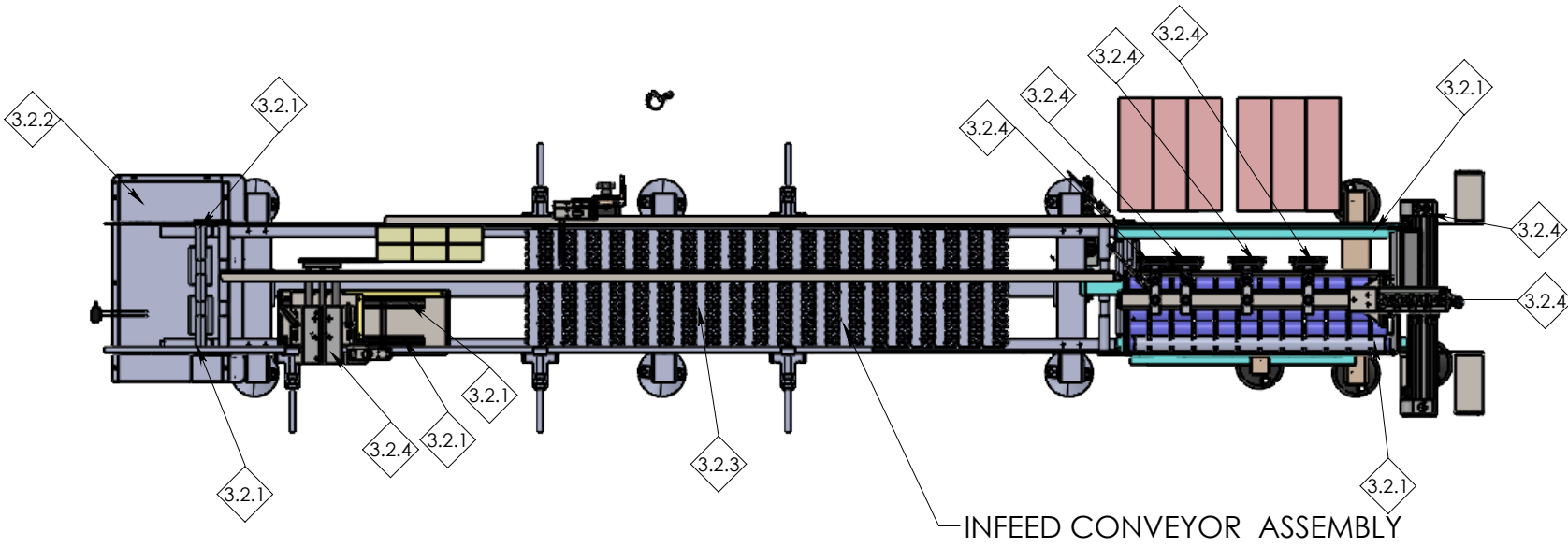


SURFACE FINISH	
As Machined	
Acid	
Glass Bead	
Orbital Sand	
Powder Coat	
Zinc Plate	
Anodise	
Polished	
Scotch Brite	
DeBurr	X
ENP	
Blackadise	



NOTE- INFEED CONVEYOR AND TILTING ASSEMBLY



**Bector Automation**  
RML India Pvt. Ltd.  
Plot No. 24, Gat. No. 613/1,  
Kurli, Tal. - Khed,  
Dist. Pune 410 501  
Maharashtra, India

**COPYRIGHT**  
© 2026 B.A.R. India Pvt. Ltd.  
THIS DRAWING MAY NOT BE  
REPRODUCED OR TRANSMITTED  
WITHOUT PRIOR PERMISSION

TOLERANCES	
NO DECIMAL PLACE	=0 +0.2 -0.2
ONE DECIMAL PLACE	=0.0 +0.1 -0.1
FABRICATION	=0 +1.0 -1.0
ALL DIMENSIONS ARE IN MILLIMETERS	

**16835 - DABUR**  
Infeed Conveyor  
FLIPPING ASSEMBLY CONCEPT ASSY

MATERIAL:		CREATED FROM:	
APPROX. FINISHED WT. (K.G.): 2004766.55		DRAWING No. <b>16835-18005</b>	
COMPONENT COLOUR:		PRINTED: 04-03-2026	
		DESIGN: Rajan V	
REV	BY	DATE	MODIFICATIONS
			DRAWN: ABS