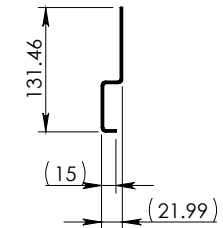
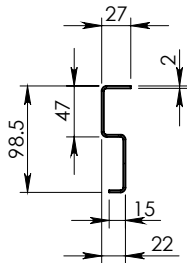
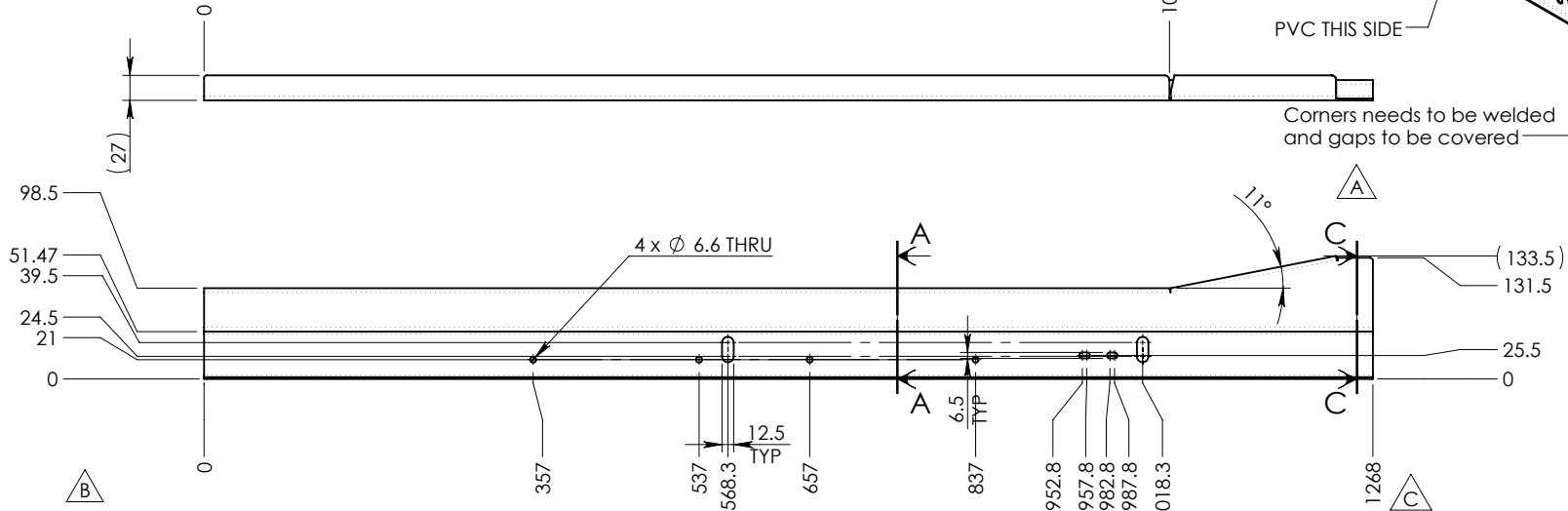
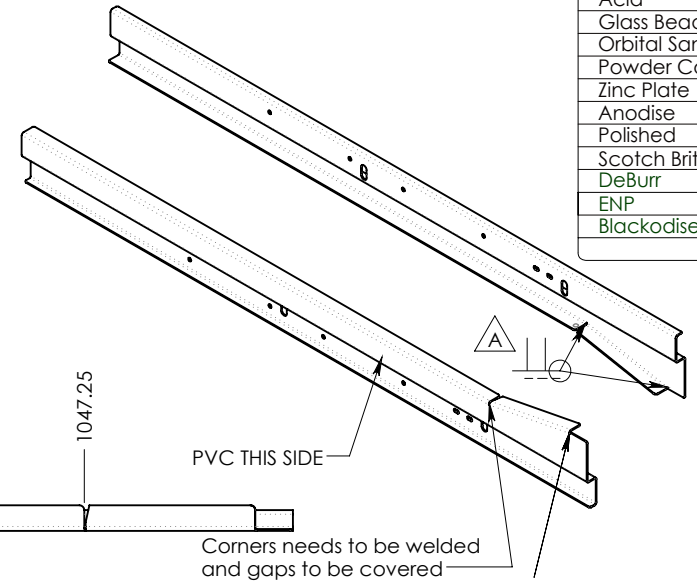
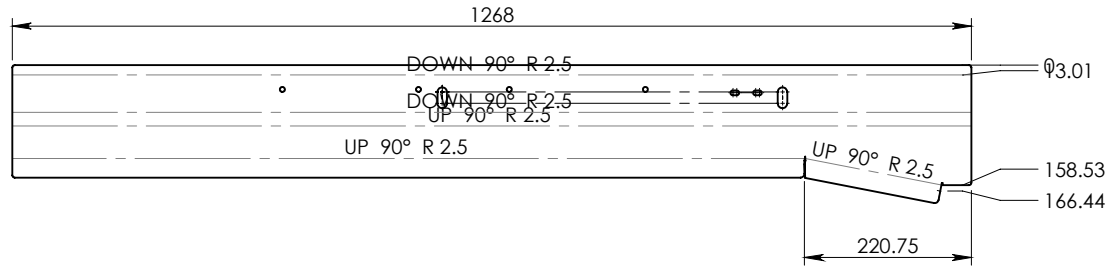


SURFACE FINISH	
As Machined	
Acid	
Glass Bead	
Orbital Sand	
Powder Coat	
Zinc Plate	
Anodise	
Polished	X
Scotch Brite	
DeBurr	X
ENP	
Blackodise	



SECTION A-A
SCALE 1 : 7

SECTION C-C
SCALE 1 : 8



**Bector Automation
RML India Pvt. Ltd.**
Plot No. 24, Gat. No. 613/1,
Kurali, Tal. - Khed
Dist. Pune 410501
Maharashtra, India

COPYRIGHT
© 2021 B.A.R. India Pvt. Ltd.
THIS DRAWING MAY NOT BE
REPRODUCED OR TRANSMITTED
WITHOUT PRIOR PERMISSION

TOLERANCES

NO DECIMAL PLACE	=0	+0.2 -0.2
ONE DECIMAL PLACE	=0.0	+0.1 -0.1
FABRICATION	=0	+1.0 -1.0

ALL DIMENSIONS ARE IN MILLIMETERS

p255i Top Load Case Packer
Top Guide
Top Guide LH

MATERIAL: 304 S/S 2B			Created From: 15250-1972	
APPROX. FINISHED WT. (K.g.): 3.09			COMPONENT COLOUR:	
C	ASM	26.12.2021	Dim.1148 Was 968	
B	PG	05-06-21	Holes added.	
A	VCS	28-01-21	Cutout Removed	
REV	BY	DATE	MODIFICATIONS	
			DRAWN: JL	

DRAWING No.		16041-1972	C
PRINTED: 2/16/2022			
DESIGN: M. Shirgaonkar		SHEET	
DRAWN: JL		1/2	

