


**NTN BEARING CORPORATION OF AMERICA**

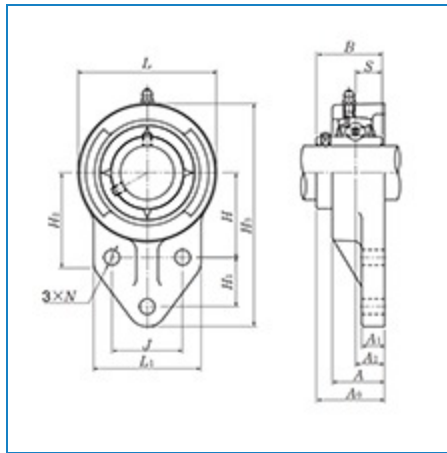
Head Office

 1501 Woodfield Rd,  
 Schaumburg, IL 60173

**Phone:** 847-298-7500

**Fax:** 847-699-9744

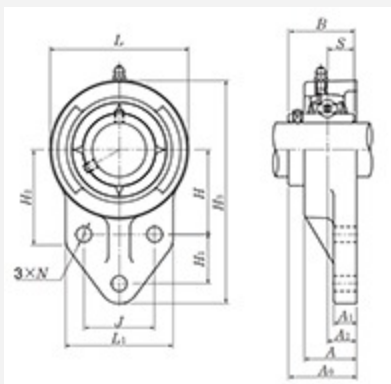
**Toll Free:** 800-323-2358

**Email:** [mkt@ntnamerica.com](mailto:mkt@ntnamerica.com)
**Website:** [www.ntnamericas.com](http://www.ntnamericas.com)
**Item # UCFH204, Three Bolt Flanged Unit, Cast Housing, Set Screw, UCFH Type**

[Order Now](#) | [Technical Specifications](#) | [Dimensional Specifications](#)
**Order Now**
**Ordering Options**
**FIND A DISTRIBUTOR**
**CONTACT NTN CUSTOMER SUPPORT SPECIALIST**
**ORDER THROUGH NTN DOL (AUTHORIZED  
DISTRIBUTORS ONLY)**
**Technical Specifications**
**Type**

3-Bolt Flanged Unit

<b>Bearing Type</b>	Ball Bearing
<b>Locking Device</b>	Set Screw
<b>Seal Type</b>	Contact
<b>Seal Material</b>	Nitrile Rubber
<b>Bearing Number</b>	UC204
<b>Housing Number</b>	FH204
<b>Housing Construction</b>	1 Piece
<b>End Type</b>	Open
<b>Performance</b>	Light Duty
<b>Dynamic Load Rating</b>	2878 lbf 12800 N 12.80 kN
<b>Static Load Rating</b>	1495 lbf 6650 N 6.65 kN
<b>Rotational Speed [Max]</b>	6700 RPM
<b>Weight</b>	1.323 lb 0.600 kg
<b>Operating Temperature Range</b>	-40 to 250 °F -40 to 120 °C
<b>Lubrication</b>	Non-Relubricatable

## Dimensional Specifications



## Three Bolt Flanged Unit, Cast Housing, Set Screw, UCFH Type - Dimensions

<b>d</b>	0.7870 in 20.000 mm
<b>L</b>	2.4375 in 62.0 mm
<b>J</b>	1.2656 in 32.0 mm
<b>A</b>	1.0000 in 25.5 mm
<b>A0</b>	1.3125 in 33.300 mm
<b>A1</b>	0.5000 in 13.0 mm
<b>A2</b>	0.5938 in 15.0 mm
<b>H</b>	1.6563 in 42.0 mm
<b>H1</b>	1.0625 in 27.0 mm
<b>H2</b>	2.0625 in 52.0 mm
<b>H3</b>	4.3438 in 110.0 mm
<b>L1</b>	2.0625 in 52.0 mm
<b>N</b>	0.3906 in 10.0 mm
<b>B</b>	1.2205 in 31.000 mm
<b>S</b>	0.5000 in 12.700 mm