



Image may differ from product. See technical specification for details.

51203

Single direction thrust ball bearing

Single direction thrust ball bearings can accommodate axial loads in one direction. They must not be subjected to any radial load. Their separable components facilitate mounting/dismounting and maintenance inspections. Many of the components are interchangeable. The shaft washers have a ground bore that enables an interference fit.

- Separable design facilitates mounting/dismounting and maintenance inspections
- Interchangeable components
- Ground bore of shaft washers enable interference fit

Ask AI 

Overview

Dimensions

Bore diameter	0.6693 in
Outside diameter	1.378 in
Height	0.4724 in

Performance

Basic dynamic load rating	3 664 lbf
Basic static load rating	6 070 lbf
Reference speed	6 700 r/min
Limiting speed	9 500 r/min

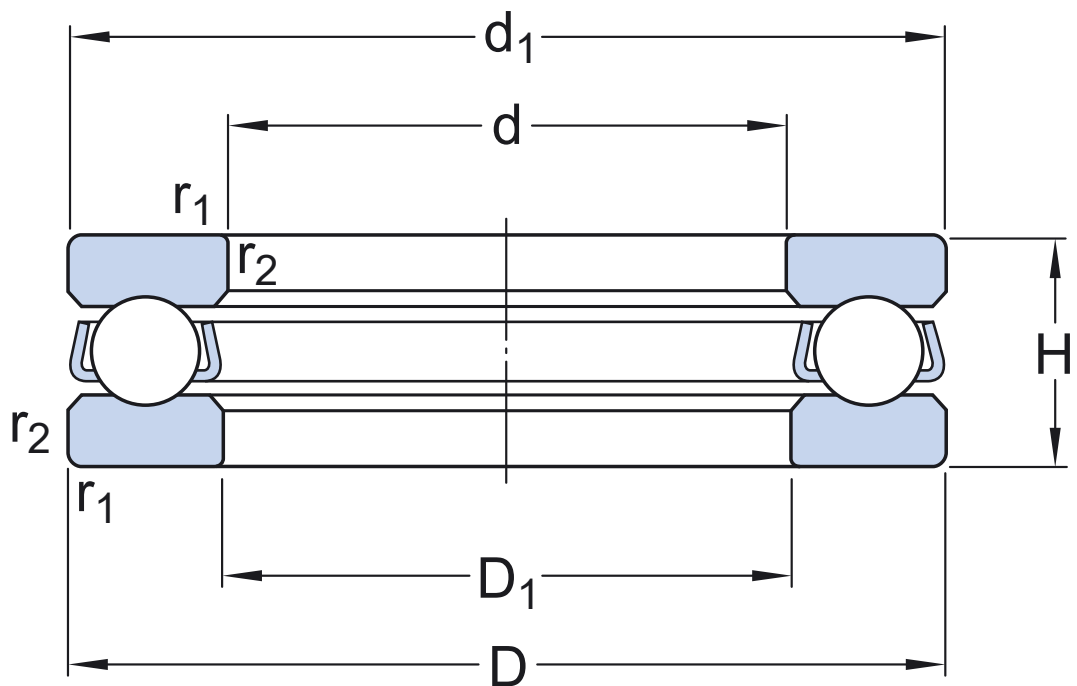
Properties

Axial load capability	Single-direction
Number of rows	1
Cage	Sheet metal
Housing washer type	Flat
Tolerance class	Normal
Material, bearing	Bearing steel
Coating	Without
Indicative carbon footprint for new product	0.41 lb CO ₂ e

Logistics

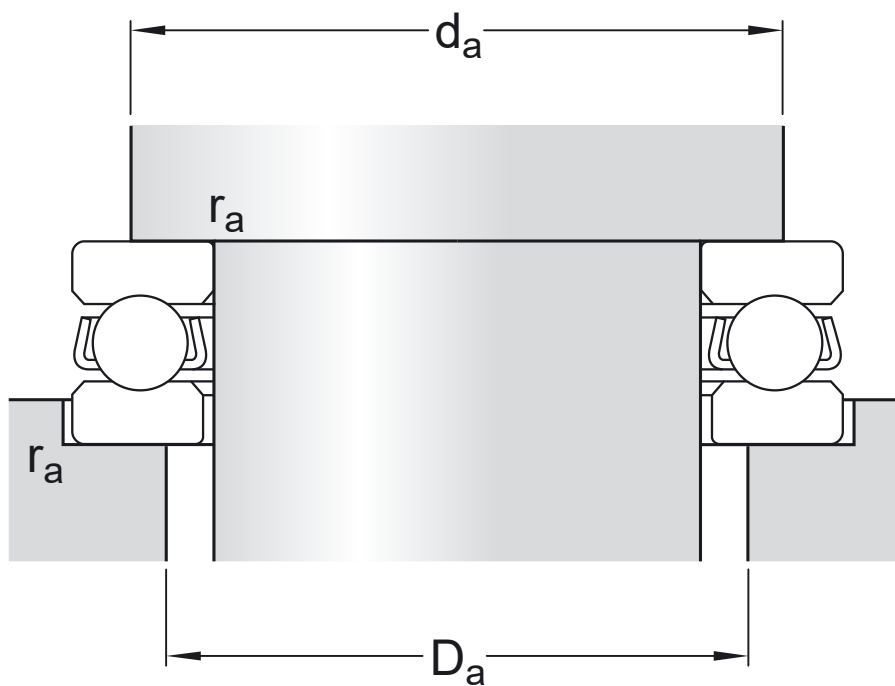
Product net weight	0.11 lb
eClass code	23-05-10-01
UNSPSC code	31171507

Technical specification



Dimensions

d	0.6693 in	Bore diameter
D	1.378 in	Outside diameter
H	0.4724 in	Height
d_1	≈ 1.378 in	Outside diameter shaft washer
D_1	≈ 0.748 in	Inner diameter housing washer
$r_{1,2}$	min. 0.0236 in	Chamfer dimension washer



Abutment dimensions

d_a	min. 1.1024 in	Abutment diameter shaft
D_a	max. 0.9449 in	Abutment diameter housing
r_a	max. 0.0236 in	Fillet radius

Calculation data

Basic dynamic load rating	C	3 664 lbf
Basic static load rating	C_0	6 070 lbf
Fatigue load limit	P_u	225 lbf
Reference speed		6 700 r/min
Limiting speed		9 500 r/min
Minimum load factor	A	0.0047

Tolerances and clearances

GENERAL BEARING SPECIFICATIONS

- [Tolerances: table 1](#)

BEARING INTERFACES

- [Seat tolerances for standard conditions](#)
- [Tolerances and resultant fit](#)



Terms of use