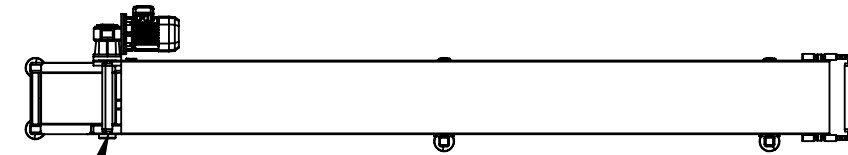
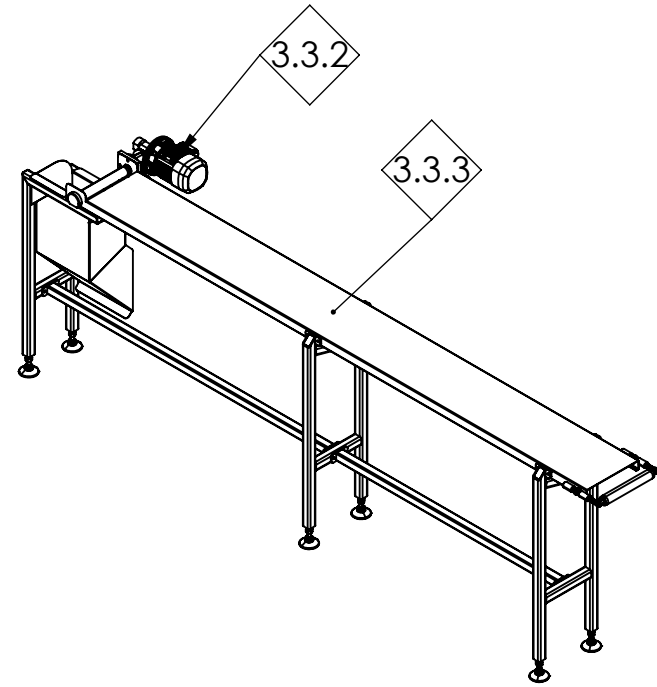


SURFACE FINISH	
As Machined	
Acid	
Glass Bead	
Orbital Sand	
Powder Coat	
Zinc Plate	
Anodise	
Polished	
Scotch Brite	
DeBurr	
ENP	
Blackodise	
Matt	X

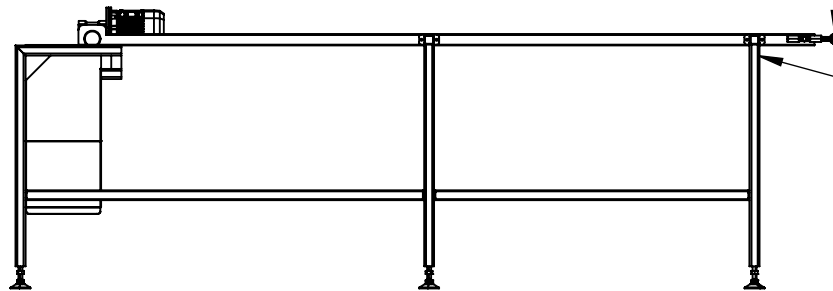


3.3.1



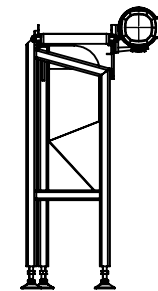
3.3.2

3.3.3



3.3.1

3.3.5



**Bector Automation**  
RMI India Pvt. Ltd.  
Plot No. 24, Gat. No. 613/1,  
Kuruli, Tal. - Khed  
Dist. Pune 410501  
Maharashtra, India

**COPYRIGHT**  
© 2025 B.A.R. India Pvt. Ltd.  
THIS DRAWING MAY NOT BE  
REPRODUCED OR TRANSMITTED  
WITHOUT PRIOR PERMISSION

**TOLERANCES**

NO DECIMAL PLACE	=0	+0.2 -0.2
ONE DECIMAL PLACE	=0.0	+0.1 -0.1
FABRICATION	=0	+1.0 -1.0

ALL DIMENSIONS ARE IN MILLIMETERS

**16797- Robotic Pick & Place**  
Infeed Conveyor-1 Assembly  
Infeed Conveyor -1

MATERIAL: 304 S/S		Created From:	
APPROX. FINISHED WT. (K.g.):	COMPONENT COLOUR:	DRAWING No.	REV.
		<b>16797-23101</b>	
		PRINTED: 13-10-2025	SHEET
		DESIGN:	1/1
REV	BY	DATE	MODIFICATIONS
			DRAWN: As Above