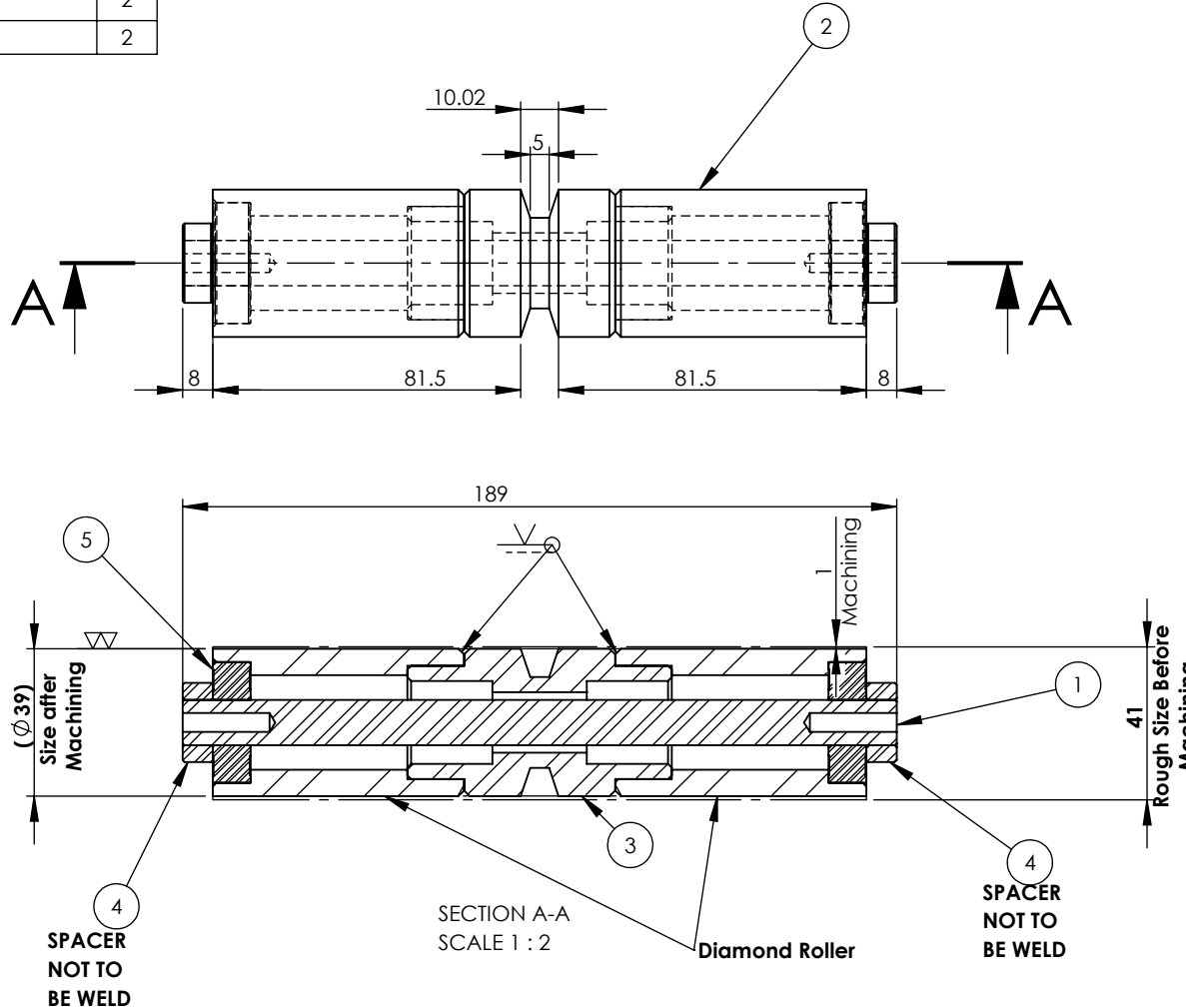


ITEM NO.	PartNo	Description	QTY.
1	16614-2342-1	Shaft	1
2	16614-2343-2	Roller	2
3	16614-2341-3	V Groove Roller Insert	1
4	16450-2344	Spacer	2
5	P101-6201	NTN 6201ZZ	2

SURFACE FINISH	
As Machined	
Acid	
Glass Bead	
Orbital Sand	
Powder Coat	
Zinc Plate	
Anodise	
Polished	
Scotch Brite	
DeBurr	
ENP	
Blackodise	



Note:- Machining to be done after Welding



**Bector Automation
RMI India Pvt. Ltd.**
Plot No. 24, Gat. No. 613/1,
Kurli, Tal. - Khed
Dist. Pune 410501
Maharashtra, India

COPYRIGHT
© 2024 B.A.R. India Pvt. Ltd.
THIS DRAWING MAY NOT BE
REPRODUCED OR TRANSMITTED
WITHOUT PRIOR PERMISSION

TOLERANCES

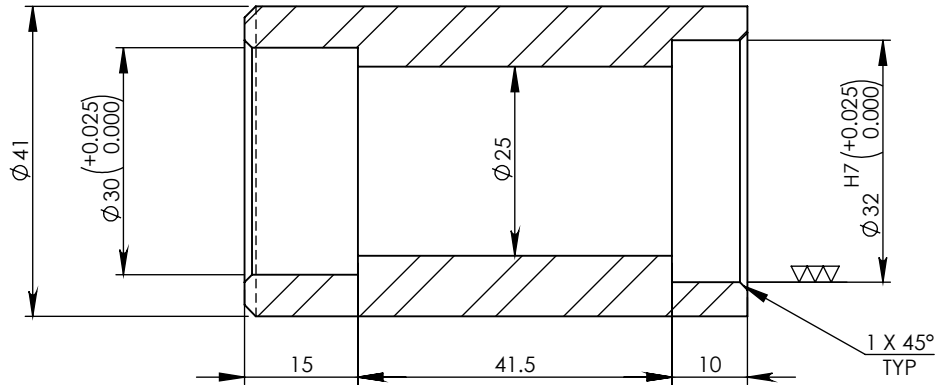
NO DECIMAL PLACE	=0	+0.2 -0.2
ONE DECIMAL PLACE	=0.0	+0.1 -0.1
FABRICATION	=0	+1.0 -1.0

ALL DIMENSIONS ARE IN MILLIMETERS

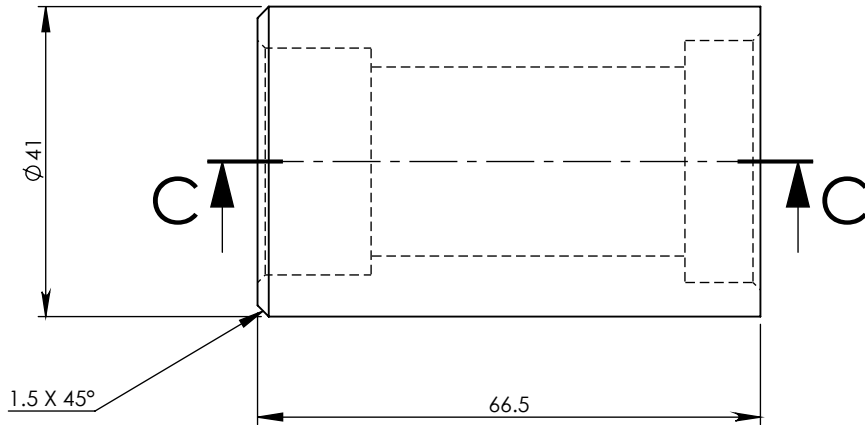
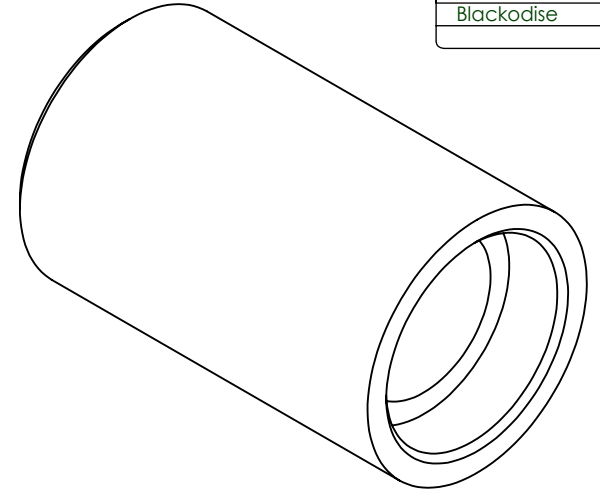
16614- Robotic Cartoner
Infeed Conveyor
Driven Roller

MATERIAL:		Created From:	
APPROX. FINISHED WT. (K.g.): 1231.77		COMPONENT COLOUR:	
		16614-2318	
		DRAWING No.	
		REV.	
		PRINTED: 17-09-2024	
		DESIGN: RV	
		DRAWN: As Above	
REV	BY	DATE	MODIFICATIONS

SURFACE FINISH	
As Machined	
Acid	
Glass Bead	
Orbital Sand	
Powder Coat	
Zinc Plate	
Anodise	
Polished	
Scotch Brite	
DeBurr	X
ENP	
Blackodise	



SECTION C-C



MATERIAL: Mild Steel		Created From:	
APPROX. FINISHED WT. (K.g.): 378.61		COMPONENT COLOUR:	
		DRAWING No. 16614-2343-2	
		REV. 3/4	
		PRINTED: 17-09-2024	
		DESIGN: RV	
		DRAWN: As Above	
REV	BY	DATE	MODIFICATIONS



Bector Automation
RMI India Pvt. Ltd.
 Plot No. 24, Gat. No. 613/1,
 Kurali, Tal. - Khed
 Dist. Pune 410501
 Maharashtra, India

COPYRIGHT
 © 2024 B.A.R. India Pvt. Ltd.
 THIS DRAWING MAY NOT BE
 REPRODUCED OR TRANSMITTED
 WITHOUT PRIOR PERMISSION

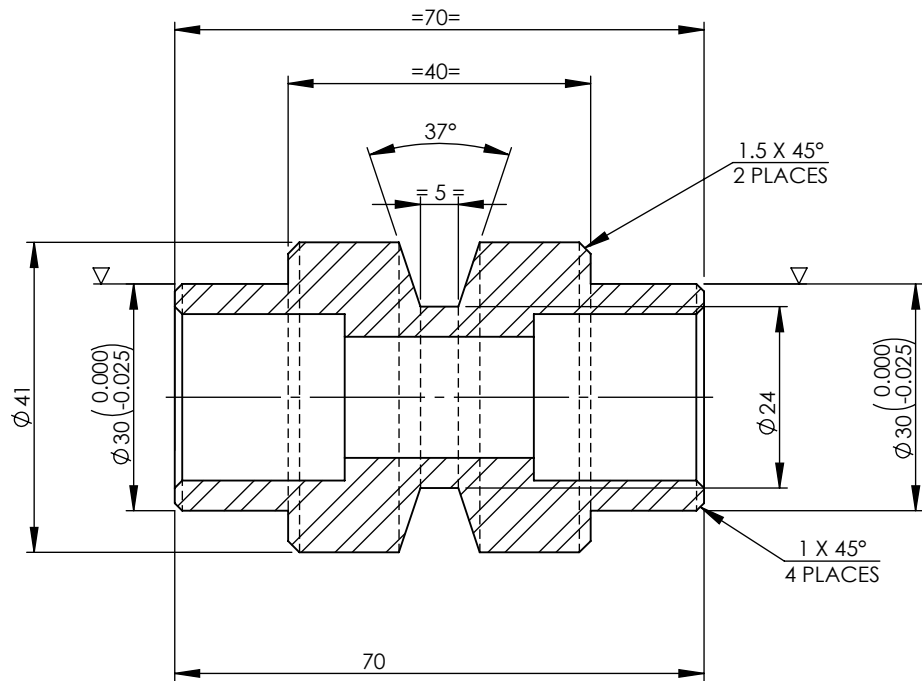
TOLERANCES

NO DECIMAL PLACE	=0	+0.2 -0.2
ONE DECIMAL PLACE	=0.0	+0.1 -0.1
FABRICATION	=0	+1.0 -1.0

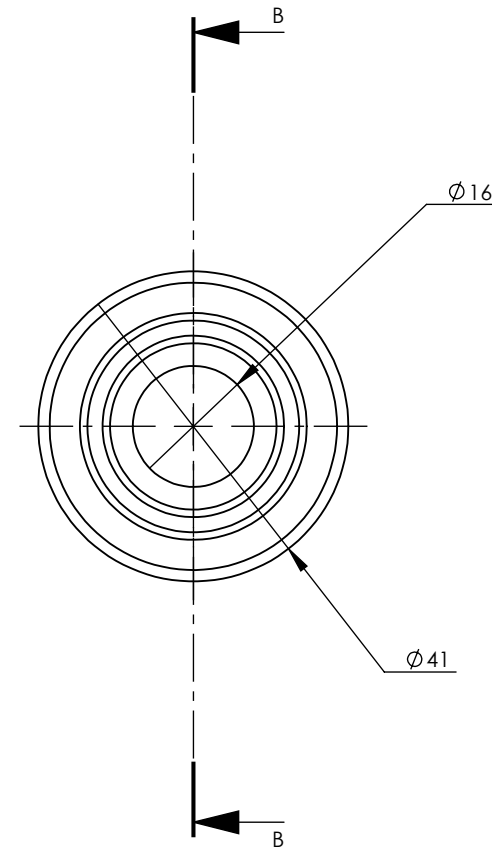
ALL DIMENSIONS ARE IN MILLIMETERS

16614-ROBOTIC CARTONER
 Infeed Conveyor
 Roller

SURFACE FINISH	
As Machined	
Acid	
Glass Bead	
Orbital Sand	
Powder Coat	
Zinc Plate	
Anodise	
Polished	
Scotch Brite	
DeBurr	X
ENP	
Blackodise	



SECTION B-B
SCALE 1 : 1



MATERIAL: Mild Steel		Created From:	
APPROX. FINISHED WT. (K.g.): 346.43		COMPONENT COLOUR:	
		DRAWING No. 16614-2341-3	
		PRINTED: 17-09-2024	
		DESIGN: RV	
		DRAWN: As Above	
REV	BY	DATE	MODIFICATIONS



**Bector Automation
RML India Pvt. Ltd.**
Plot No. 24, Gat. No. 613/1,
Kurli, Tal. - Khed
Dist. Pune 410501
Maharashtra, India

COPYRIGHT
© 2024 B.A.R. India Pvt. Ltd.
THIS DRAWING MAY NOT BE
REPRODUCED OR TRANSMITTED
WITHOUT PRIOR PERMISSION

TOLERANCES

NO DECIMAL PLACE	=0	+0.2 -0.2
ONE DECIMAL PLACE	=0.0	+0.1 -0.1
FABRICATION	=0	+1.0 -1.0

ALL DIMENSIONS ARE IN MILLIMETERS

16614-ROBOTIC CARTONER
INFEED CONVEYOR
V Groove Roller Insert