


NTN BEARING CORPORATION OF AMERICA

Head Office

1600 E. Bishop Court, P.O. Box 7604

Mount Prospect, IL 60056-7604, U.S.A.

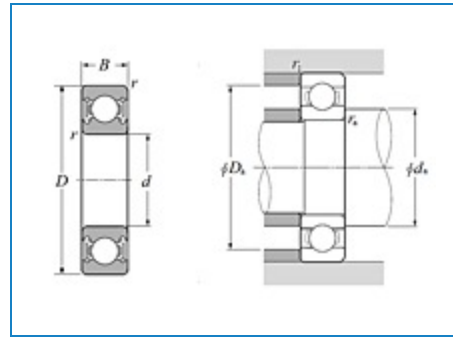
Phone: 847-298-7500

Fax: 847-699-9744

Toll Free: 800-323-2358

Email: mkt@ntnamerica.com
Website: www.ntnamericas.com

Item # 6002LLU, Single Row Radial Ball Bearing - Double Sealed (Contact Rubber Seal)


[Order Now](#) | [Technical Specifications](#) | [Dimensional Specifications](#)

Order Now

Ordering Options

[FIND A DISTRIBUTOR](#)
[CONTACT NTN CUSTOMER SUPPORT SPECIALIST](#)
[ORDER THROUGH NTN DOL \(AUTHORIZED DISTRIBUTORS ONLY\)](#)

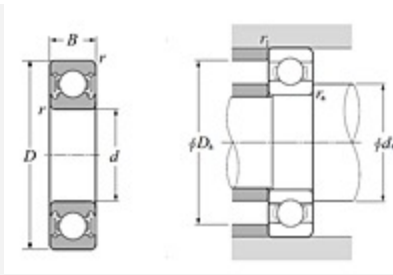
Technical Specifications

Type

Deep Groove Ball Bearing

Bore Type	Round
Material	High Carbon Chrome Steel
Cage Type	Pressed
Cage Material	Steel
Ball Material	Steel
Limiting Speed - Grease	15000 RPM
Seal Type	Contact
Seal Material	Nitrile Rubber
Precision	ISO Class 0
Configuration	One
Factor	13.9
Radial Internal Clearance	CN
Static Load Rating	635 lbf 2840 N 2.84 kN
Dynamic Load Rating	1390 lbf 6200 N 6.20 kN
Enclosure	Double Sealed
Weight	0.066 lb 0.030 kg
Operating Temperature Range	-40 to 250 °F -40 to 120 °C

Dimensional Specifications



Single Row Radial Ball Bearing - Double Sealed (Contact Rubber Seal) - Dimensions

d	0.5906 in 15.000 mm
D	1.2598 in 32.000 mm
B	0.3543 in 9.000 mm
r	0.0118 in 0.300 mm
r1	0.0118 in 0.300 mm
da max	0.7480 in 1.1811 in 19.000 mm 30.000 mm
Da max	1.1811 in 30.000 mm
ras max	0.0118 in 0.300 mm