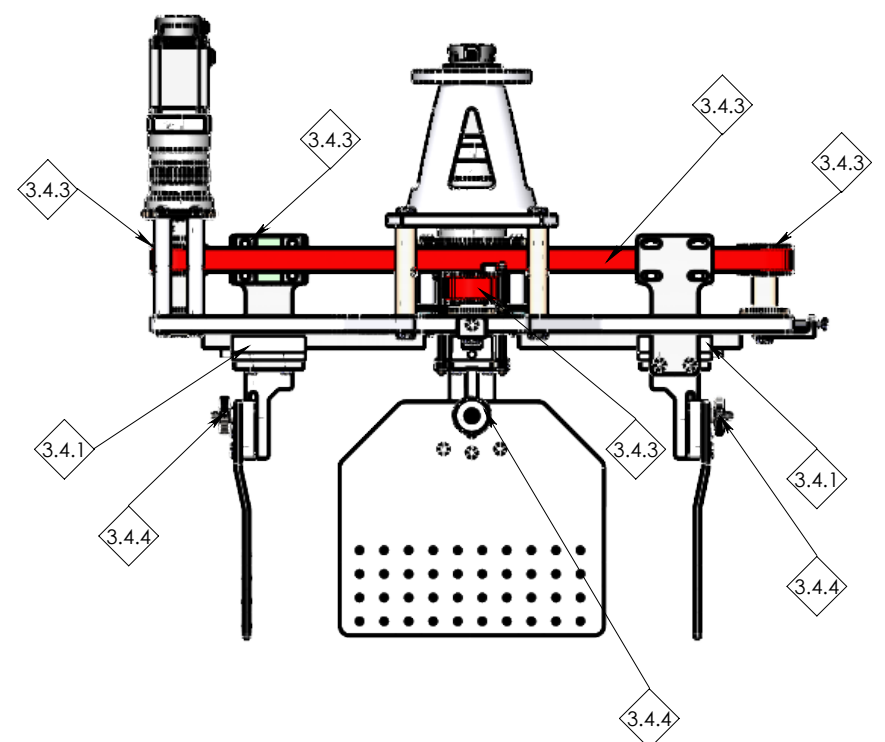
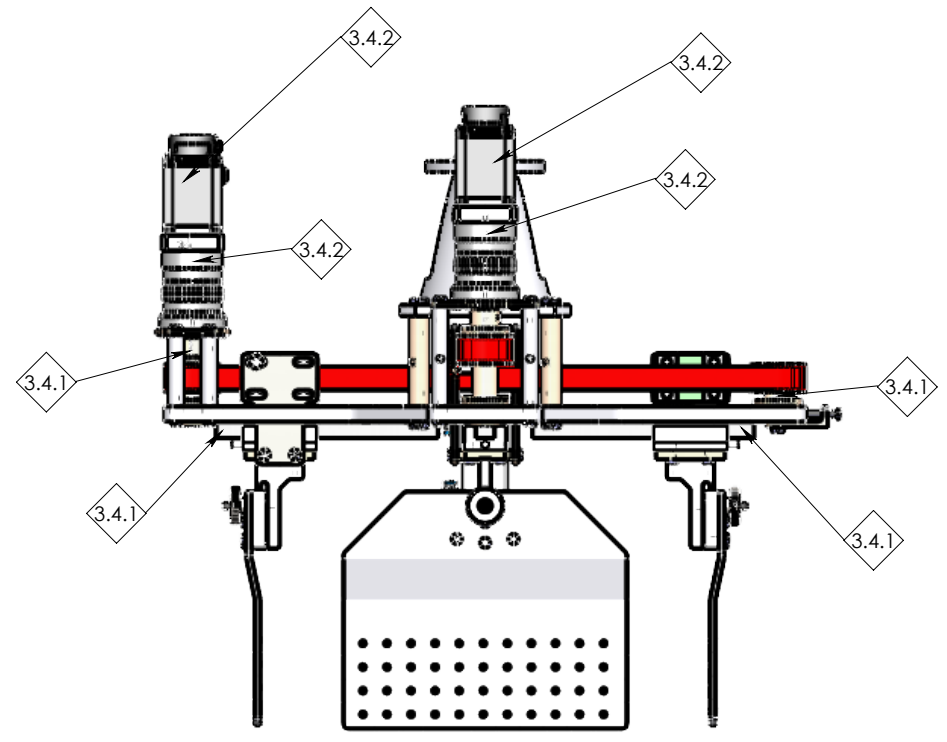
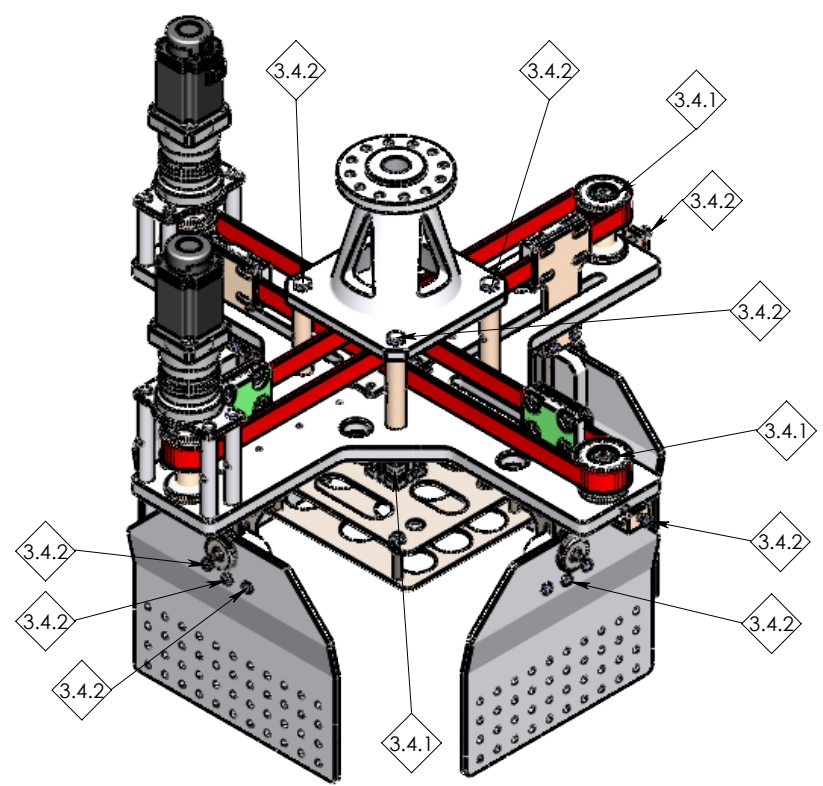
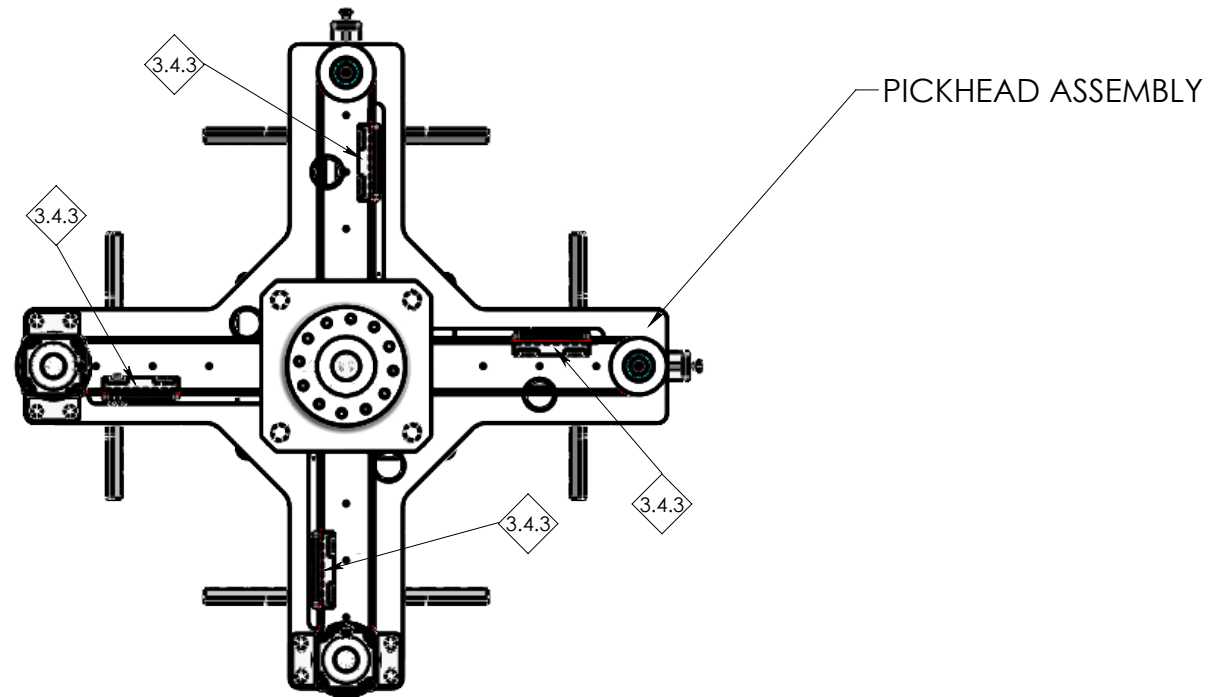


SURFACE FINISH	
As Machined	
Acid	
Glass Bead	
Orbital Sand	
Powder Coat	
Zinc Plate	
Anodise	
Polished	
Scotch Brite	
DeBurr	X
ENP	
Blackodise	



NOTE-PICKHEAD DWG MAINTENANCE DWG



**Bector Automation  
RML India Pvt. Ltd.**  
Plot No. 24, Gat. No. 613/1,  
Kurali, Tal. - Khed,  
Dist. Pune 410 501  
Maharashtra, India

**COPYRIGHT**  
© 2025 B.A.R. India Pvt. LTD.  
THIS DRAWING MAY NOT BE  
REPRODUCED OR TRANSMITTED  
WITHOUT PRIOR PERMISSION

TOLERANCES		
NO DECIMAL PLACE	=0	+0.2-0.2
ONE DECIMAL PLACE	=0.0	+0.1-0.1
FABRICATION	=0	+1.0-1.0

ALL DIMENSIONS ARE IN MILLIMETERS

**16835-ROBOTIC CASE PACKER  
PICKHEAD  
Loading Head**

MATERIAL:		CREATED FROM: 15098-2503
APPROX. FINISHED WT. (K.G.): 35053.90	COMPONENT COLOUR:	DRAWING No.
		<b>16835-25007</b>
		PRINTED: 04-03-2026
		DESIGN: Rajan V
REV	BY	DATE
		MODIFICATIONS
		DRAWN: A.Mitkari