


NTN BEARING CORPORATION OF AMERICA

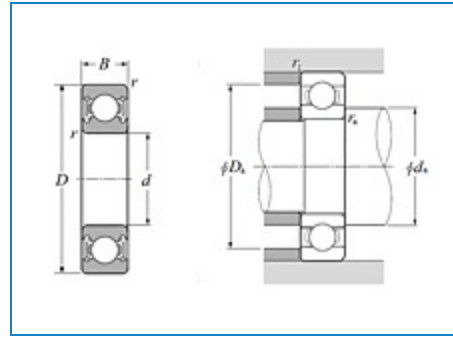
Head Office

 1501 Woodfield Rd,
 Schaumburg, IL 60173

Phone: 847-298-7500

Fax: 847-699-9744

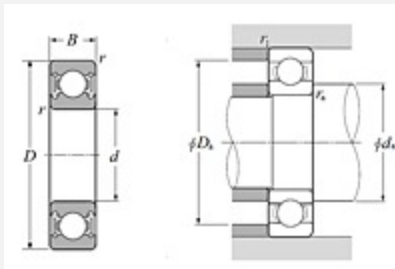
Toll Free: 800-323-2358

Email: mkt@ntnamerica.com
Website: www.ntnamericas.com
Item # 6206LLU

[Order Now](#) | [Technical Specifications](#) | [Dimensional Specifications](#)
Order Now
Ordering Options
FIND A DISTRIBUTOR
CONTACT NTN CUSTOMER SUPPORT SPECIALIST
**ORDER THROUGH NTN DOL (AUTHORIZED
DISTRIBUTORS ONLY)**
Technical Specifications
Type Deep Groove Ball Bearing

Bore Type Round

Material	High Carbon Chrome Steel
Cage Type	Pressed
Cage Material	Steel
Ball Material	Steel
Limiting Speed - Grease	7300 RPM
Seal Type	Contact
Seal Material	Nitrile Rubber
Precision	ISO Class 0
Configuration	One
Factor	13.8
Radial Internal Clearance	CN
Static Load Rating	2540 lbf 11300 N 11.30 kN
Dynamic Load Rating	4850 lbf 21600 N 21.60 kN
Enclosure	Double Sealed
Weight	0.437 lb 0.198 kg
Operating Temperature Range	-40 to 250 °F -40 to 120 °C

Dimensional Specifications



Single Row Radial Ball Bearing - Double Sealed (Contact Rubber Seal) - Dimensions

d	1.1811 in 30.000 mm
D	2.4409 in 62.000 mm
B	0.6299 in 16.000 mm
r	0.0394 in 1.000 mm
r1	0.0197 in 0.500 mm
da max	1.5354 in 2.2441 in 39.000 mm 57.000 mm
Da max	2.2441 in 57.000 mm
ras max	0.0394 in 1.000 mm